



PRODUCT SHEET

Zeta Mini

Art. no: 1017-15-1

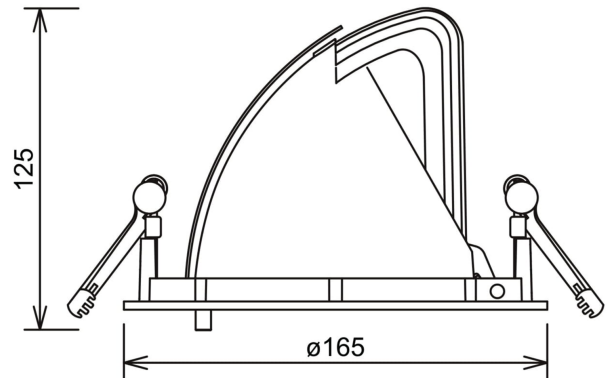


Lighting Solutions

Zeta Mini

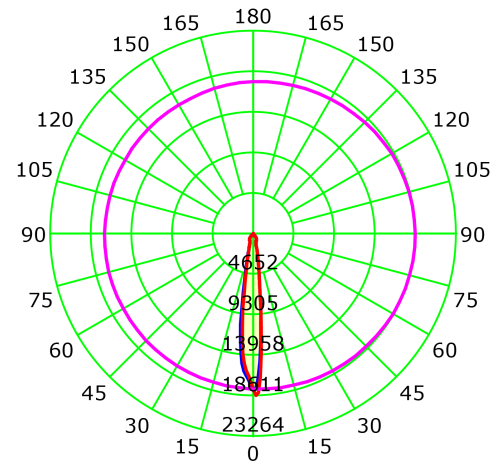


 155mm



SPECIFICATIONS

Lightsource Type:	LED (built in)
System Power [W]:	28W
CCT (Color Temperature):	2700K
CRI / Ra:	80
Lumen LED (tc=25):	3850lm
Beam Angle:	15°
Lens (Diffuser):	Clear
Dimming:	None
System Voltage [V]:	230V 50Hz
Connection:	18i3 Quick connection
Mounting:	Ceiling, Recessed
Cut-out [mm]:	155mm
MacAdam (SDCM):	3
Color:	Grey
Length [mm]:	165mm
Height [mm]:	125mm
Width [mm]:	165mm
Weight [kg]:	0,95kg
To be recessed in insulation:	No



Zeta Mini is a small flexible LED downlight replacing the well-known Zebra mini, offering the same great quality and adjustment possibilities. The Zeta mini is supplied with 18i3 cable connector and can be delivered with a variety of connection options. The down light is available in three different colors.