
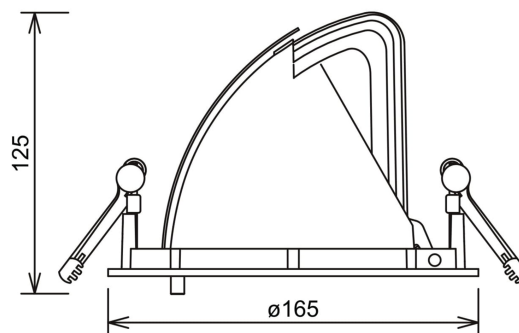


Zeta Mini



 155mm



PRODUCT NO.: 1017-15-2



LIGHT TECHNICAL

| | |
|--------------------------|----------------|
| Lightsource Type: | LED (built in) |
| Lumen LED (tc=25): | 3850 |
| Beam Angle: | 15° |
| CCT (Color Temperature): | 2700 |
| CRI / Ra: | 80 |
| Color Code: | 827 |
| MacAdam (SDCM): | 3 |
| Lens (Diffuser): | Clear |

MOUNTING / CONNECTION

| | |
|---------------|-----------------------|
| Connection: | 18i3 Quick connection |
| Cut-out [mm]: | 155 |
| Mounting: | Ceiling, Recessed |

PRODUCT

| | |
|-------------------------------|-------|
| To be recessed in insulation: | No |
| Ingress Protection: | IP20 |
| Color: | Black |
| Length [mm]: | 165 |
| Height [mm]: | 125 |
| Width [mm]: | 165 |
| Weight [kg]: | 0,95 |

ELECTRICAL DATA

| | |
|--------------------------------------|-----------|
| Dimming: | None |
| System Power [W]: | 28 |
| System Voltage [V]: | 230V 50Hz |
| Protection Class: | 2 |
| Max load pr circuit - B10: | 14 |
| Max load pr circuit - B16: | 24 |
| Max load pr circuit - C10: | 24 |
| Max load pr circuit - C16: | 40 |
| Inrush current I _{max} [A]: | 25 |
| Inrush current time [μs]: | 150 |
| Current Output [mA]: | 700 |
| Voltage Forward Min [V]: | 30,2 |
| Voltage Forward Max [V]: | 41,7 |