
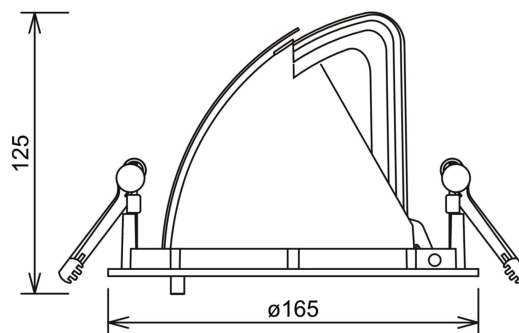


# Zeta Mini



 155mm



**PRODUCT NO.:** 1019-15-2



**LIGHT TECHNICAL**

Lightsource Type:	LED (built in)
Lumen LED (tc=25):	4100
Beam Angle:	15°
CCT (Color Temperature):	4000
CRI / Ra:	80
Color Code:	840
MacAdam (SDCM):	3
Lens (Diffuser):	Clear

**MOUNTING / CONNECTION**

Connection:	18i3 Quick connection
Cut-out [mm]:	155
Mounting:	Ceiling, Recessed

**PRODUCT**

To be recessed in insulation:	No
Ingress Protection:	IP20
Color:	Black
Length [mm]:	165
Height [mm]:	125
Width [mm]:	165
Weight [kg]:	0,95

**ELECTRICAL DATA**

Dimming:	None
System Power [W]:	28
System Voltage [V]:	230V 50Hz
Protection Class:	2
Max load pr circuit - B10:	14
Max load pr circuit - B16:	24
Max load pr circuit - C10:	24
Max load pr circuit - C16:	40
Inrush current I <sub>max</sub> [A]:	25
Inrush current time [µs]:	150
Current Output [mA]:	700
Voltage Forward Min [V]:	30,2
Voltage Forward Max [V]:	41,7