

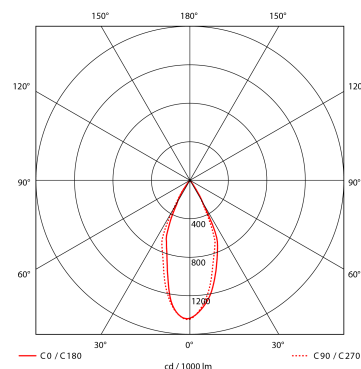
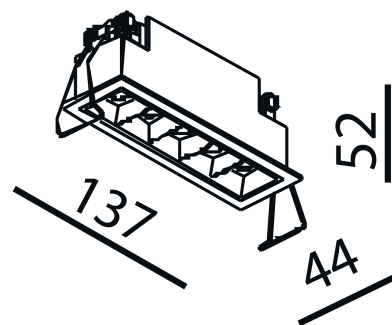
# Cold 5

1117-01-30-2



Lightsource Type:	LED (built in)
System Power [W]:	10W
CCT (Color Temperature):	2700K
CRI / Ra:	90
Lumen Output:	805lm
Lumen LED (tc=25):	1050lm
Beam Angle:	30°
Lens (Diffuser):	None
Dimming:	Phase-Cut
System Voltage [V]:	230V 50Hz
Connection:	Depending on driver
Mounting:	Ceiling, Recessed
Cut-out [mm]:	130x36mm
MacAdam (SDCM):	2
Color:	Black
Length [mm]:	137mm
Height [mm]:	52mm
Width [mm]:	44mm
Weight [kg]:	0,32kg
To be recessed in insulation:	No

130x36mm



All specifications are nominal values, deviations may occur.  
 Product specifications are subject to change without notice.  
 Electrical equipment designed to be part of a fixed electrical installation can only be installed by a registered installation company