



PRODUCT SHEET

Cold 5

Art. no: 1117-01-30-3

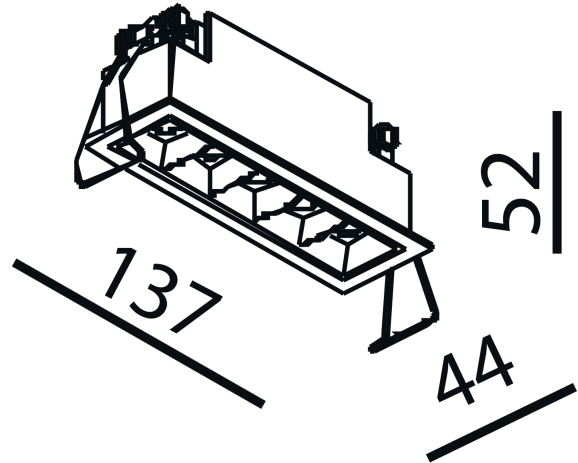


Lighting Solutions

Cold 5



130x36mm



SPECIFICATIONS

Lightsource Type:	LED (built in)
System Power [W]:	10W
CCT (Color Temperature):	2700K
CRI / Ra:	90
Lumen Output:	805lm
Lumen LED (tc=25):	1050lm
Beam Angle:	30°
Lens (Diffuser):	None
Dimming:	Phase-Cut
System Voltage [V]:	230V 50Hz
Connection:	Depending on driver
Mounting:	Ceiling, Recessed
Cut-out [mm]:	130x36mm
MacAdam (SDCM):	2
Color:	White
Length [mm]:	137mm
Height [mm]:	52mm
Width [mm]:	44mm
Weight [kg]:	0,32kg
To be recessed in insulation:	No

