
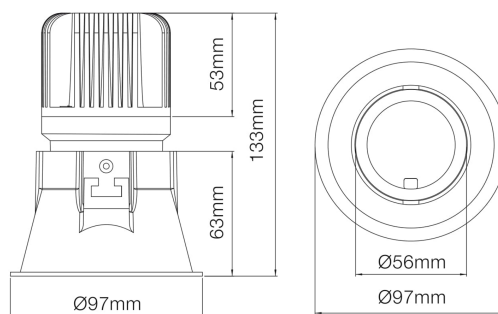


Trimo Micro



 90mm



PRODUCT NO.: 18015-6-30-2-ddd



LIGHT TECHNICAL

Lightsource Type:	LED (built in)
Lumen LED (tc=25):	2000
Beam Angle:	30°
CCT (Color Temperature):	3000
CRI / Ra:	80
Color Code:	830
MacAdam (SDCM):	3
Lens (Diffuser):	Clear

MOUNTING / CONNECTION

Connection:	18i5 DALI Quick connection
Cut-out [mm]:	90
Mounting:	Ceiling, Recessed

PRODUCT

To be recessed in insulation:	No
Ingress Protection:	IP20
Lifetime [h]:	L80B10: 50.000
Color:	Black
Height [mm]:	140
Width [mm]:	95
Weight [kg]:	0,65

ELECTRICAL DATA

UGR (<=):	16
Dimming:	DALI
System Power [W]:	13
System Voltage [V]:	230V 50Hz
Protection Class:	2
Max load pr circuit - B10:	82
Max load pr circuit - B16:	130
Max load pr circuit - C10:	90
Max load pr circuit - C16:	144
Inrush current I _{max} [A]:	5
Inrush current time [µs]:	100
Socket / Cap-Base:	N/A
Current Output [mA]:	350
Voltage Forward Min [V]:	31,7
Voltage Forward Max [V]:	36,3