



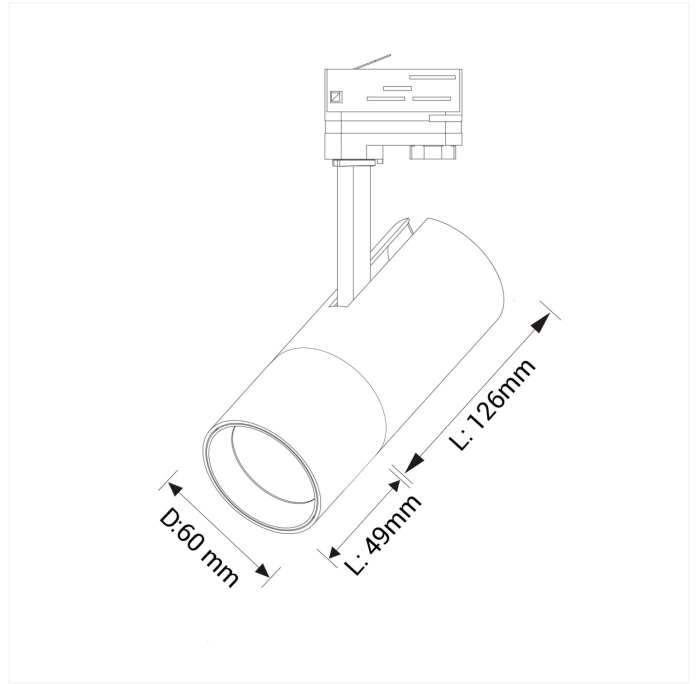
FDV SPEC SHEET

Cylinder 60

Art. no: 60327-7-38-2



Lighting Solutions



Cylinder 60



Art. no: 60327-7-38-2

LIGHT TECHNICAL

| | |
|--------------------------|----------------|
| Lightsource Type: | LED (built in) |
| Lumen LED (tc=25): | 1550 |
| Beam Angle: | 38° |
| CCT (Color Temperature): | 2700 |
| CRI / Ra: | 90 |
| Color Code: | 927 |
| Lens (Diffuser): | Clear |

MOUNTING / CONNECTION

| | |
|-------------|-----------------|
| Connection: | Track 3-Circuit |
| Mounting: | Ceiling, Track |

PRODUCT

| | |
|-----------------------------|----------------|
| Ingress Protection: | IP20 |
| Operating Temperature [°C]: | - |
| Lifetime [h]: | L80B10: 60 000 |
| Color: | Black |
| Height [mm]: | 220 |
| Width [mm]: | 60 |
| Weight [kg]: | 0,6 |

ELECTRICAL DATA

| | |
|----------------------------|-----------|
| Dimming: | Phase-Cut |
| System Power [W]: | 14 |
| System Voltage [V]: | 230V 50Hz |
| Protection Class: | 1 |
| Max load pr circuit - B10: | 50 |
| Max load pr circuit - B16: | 80 |
| Max load pr circuit - C10: | 50 |
| Max load pr circuit - C16: | 80 |
| Inrush current time [µs]: | 40 |
| Socket / Cap-Base: | N/A |
| Current Output [mA]: | 350 |