
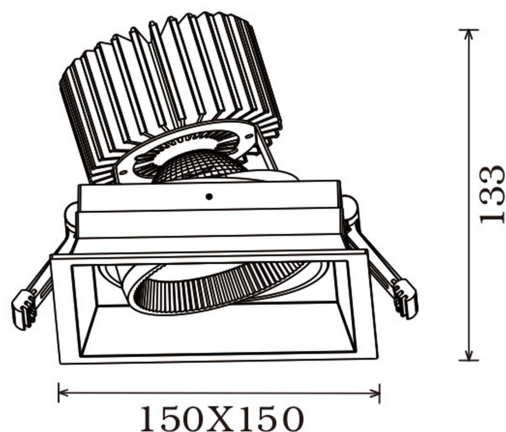


# Quadro



 140x140mm



**PRODUCT NO.:** 75103-20-2



**LIGHT TECHNICAL**

Lumen LED (tc=25):	3750
Beam Angle:	20°
CCT (Color Temperature):	3000
CRI / Ra:	90
Color Code:	930
MacAdam (SDCM):	3
Lens (Diffuser):	Clear

**MOUNTING / CONNECTION**

Connection:	18i3 Quick connection
Cut-out [mm]:	140x140
Mounting:	Ceiling

**PRODUCT**

To be recessed in insulation:	No
Ingress Protection:	IP20
Lifetime [h]:	L80B10: 50.000
Color:	Black
Length [mm]:	150
Height [mm]:	133
Width [mm]:	150
Weight [kg]:	1,05

**ELECTRICAL DATA**

Dimming:	None
System Power [W]:	33
System Voltage [V]:	230V 50Hz
Protection Class:	2
Max load pr circuit - B10:	14
Max load pr circuit - B16:	24
Max load pr circuit - C10:	24
Max load pr circuit - C16:	40
Inrush current I <sub>max</sub> [A]:	25
Inrush current time [μs]:	150
Socket / Cap-Base:	N/A
Current Output [mA]:	900
Voltage Forward Min [V]:	30,2
Voltage Forward Max [V]:	41,7