



# PRODUCT SHEET

Quadro  
Art. no: 75104-7-30-2

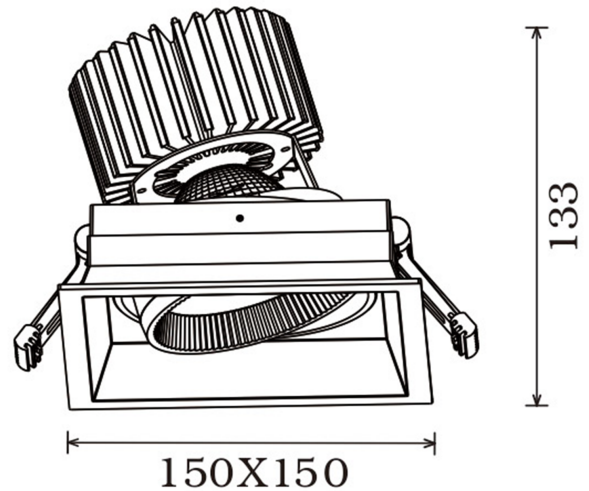


Lighting Solutions

## Quadro

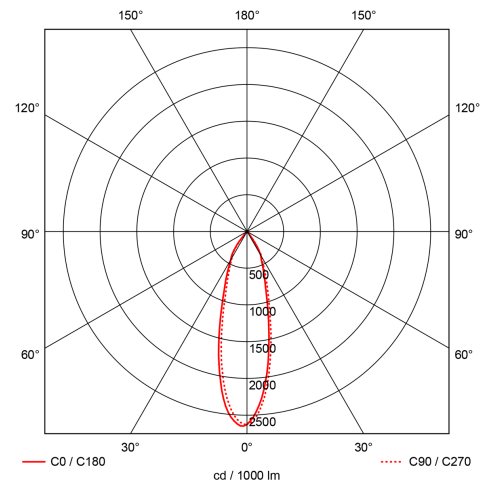


140x140mm



### SPECIFICATIONS

System Power [W]:	31W
CCT (Color Temperature):	4000K
CRI / Ra:	90
Lumen Output:	2806lm
Lumen LED (tc=25):	4250lm
Beam Angle:	30°
Lens (Diffuser):	Clear
Dimming:	None
System Voltage [V]:	230V 50Hz
Connection:	18i3 Quick connection
Mounting:	Ceiling
Cut-out [mm]:	140x140mm
Lifetime [h]:	L80B10: 50.000h
Lumen/W:	91lm/W
MacAdam (SDCM):	3
Color:	Black
Length [mm]:	150mm
Height [mm]:	133mm
Width [mm]:	150mm
Weight [kg]:	1,05kg
To be recessed in insulation:	No



Quadro downlight available in a single and a double version. The Quadro combines the design details from track mounted spotlights with those of downlights. This will make a very nice design element in premises where one needs both track mounted and recessed fixtures.