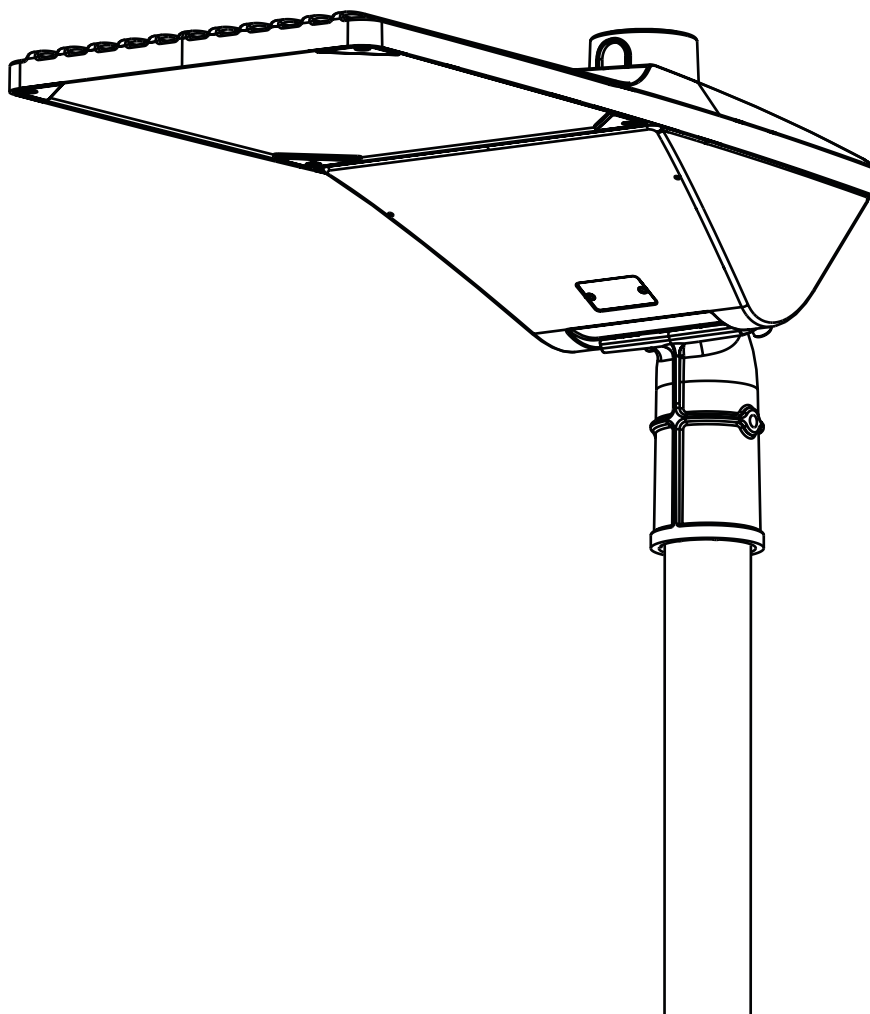


ART. NO.

102011-03-1

102012-03-1

102013-03-1

NORLUX®*Lighting Solutions*

Joule

INSTALLATION MANUAL

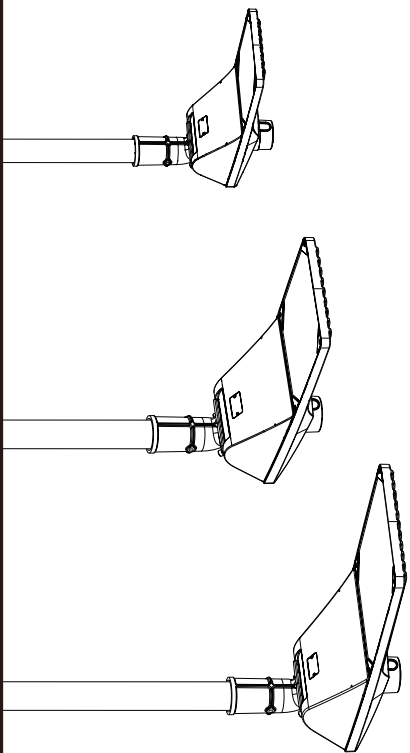
**⚠ Safety Notes:**

- The product must be installed, maintained, and operated as instructions below.
- Before starting installation of this product, make sure power supply is disconnected.
- Only to be installed by authorized electrician.
- Do not use abrasives or solvents when cleaning.
- Do not install the product if it appears damaged in any way. Check with manufacturer if in doubt.
- Do not modify this fitting in any matter as this will void warranty.
- Check protection class, if class I, it must be earthed.
- Disconnect power supply before maintenance or cleaning.

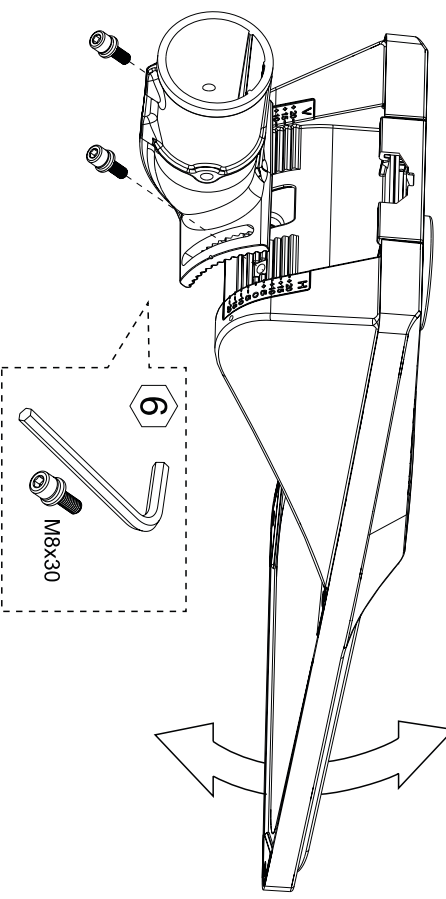
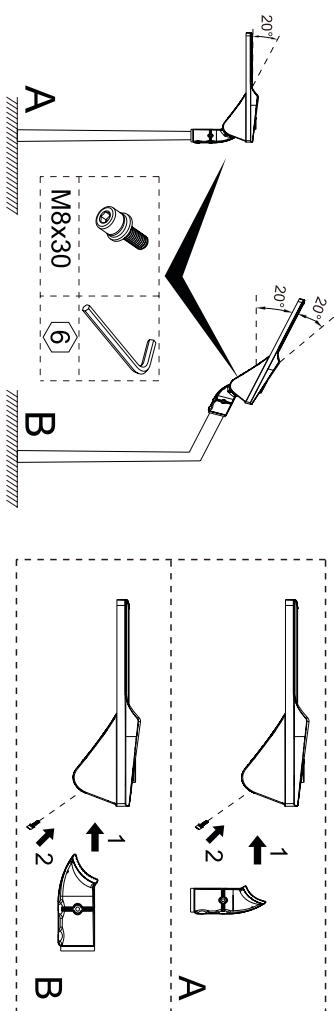
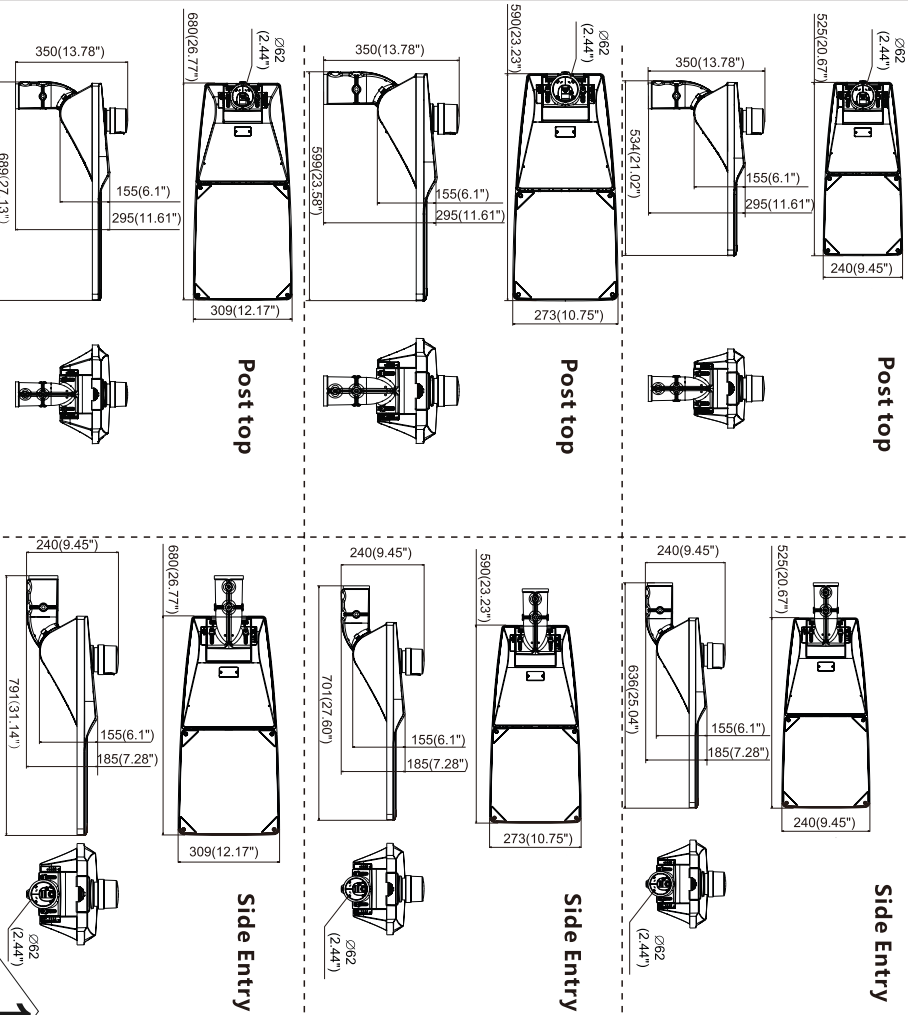
⚠ Sikkerhetsinformasjon:

- Følg installasjonsmanual for korrekt montering.
- Koble alltid fra strømmen før montering eller vedlikehold.
- Kan kun monteres av autorisert elektriker.
- Monter ikke produktet hvis det er synlig skade. Kontakt forhandler eller produsent.
- Bruk ikke løsemidler ved rengjøring
- Produktet skal ikke under noen omstendigheter endres eller modifiseres.
- Sjekk produktets isolasjonsklasse. Ved isolasjonsklasse I skal produktet jordes.

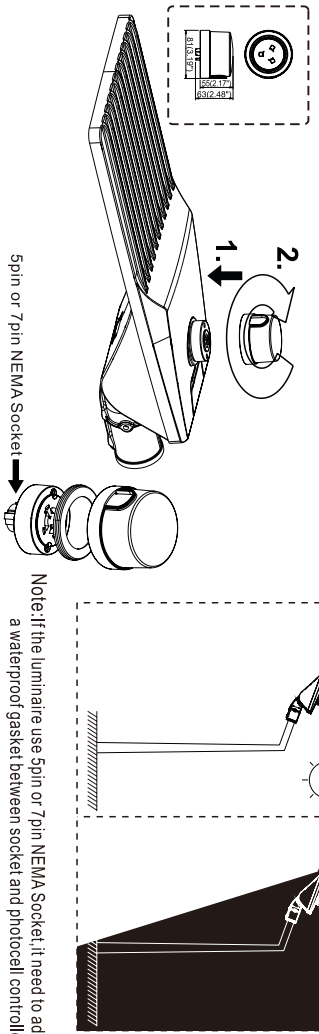
Installation Instructions



Physical Dimensions(mm/inch)

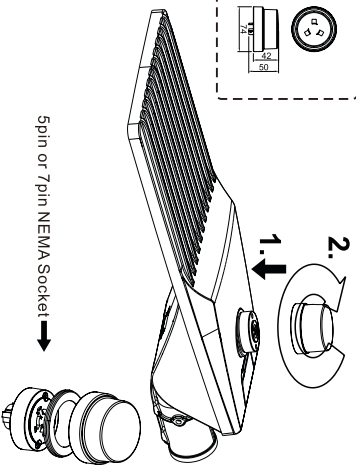
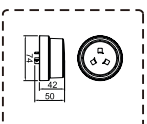


Photocell



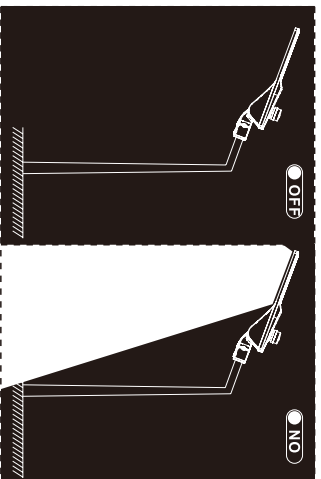
Rated Voltage	120-277VAC	Turn-Off Level / Time-Delay	60Lx / 2-15s
Applicable Voltage Range	105-305VAC	Ambient Temp.	-40°C ~ +70°C
Rated Frequency	50/60Hz	Related Humidity	99%
Rated Loading	1000W Tungsten, 1800VA Ballast	Service Life	5000 times
Power Consumption	1.0VA	Overall Size	84(Da.) x 68mm
Turn-On Level / Time-Delay	10Lx / 15-120s	Weight Approx.	89g

Shorting cap

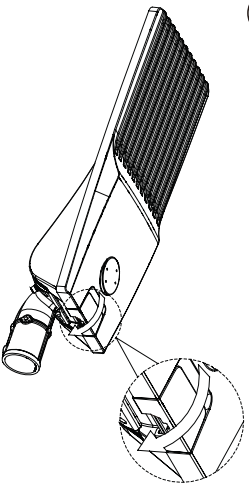


Note: If the luminaire use 5pin or 7pin NEMA Socket, it need to add a waterproof gasket between socket and shorting cap.

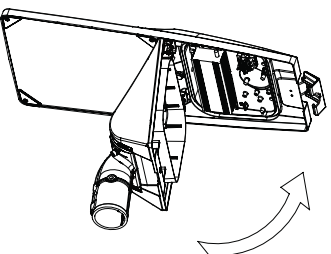
The light will not turn on without the shorting cap even the power is on, it will working only after add the shorting cap



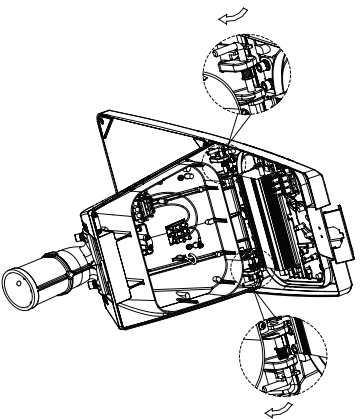
1



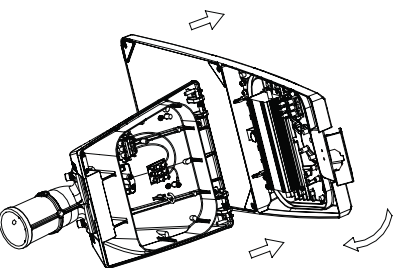
2



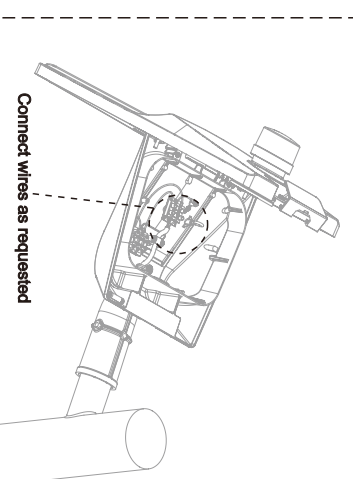
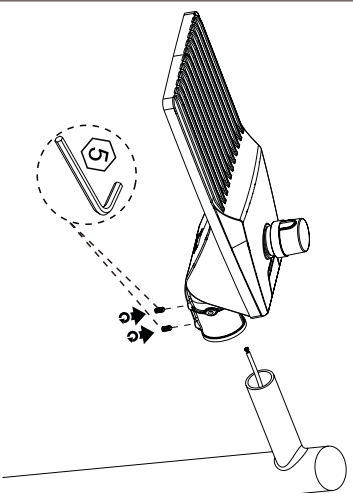
3



4



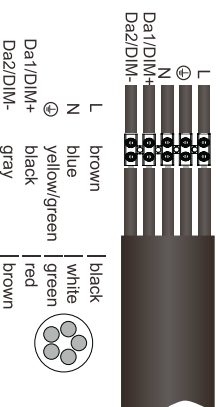
3



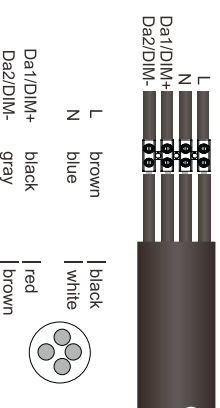
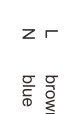
Connect wires as requested



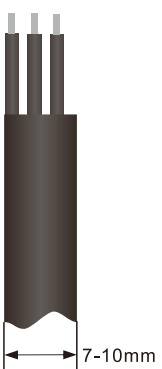
Class I



Class II



Default:
Cable gland(M20-10) match wire diameter 7-10mm



Alternative:
Cable gland(M20-14) match wire diameter 10-14mm



4