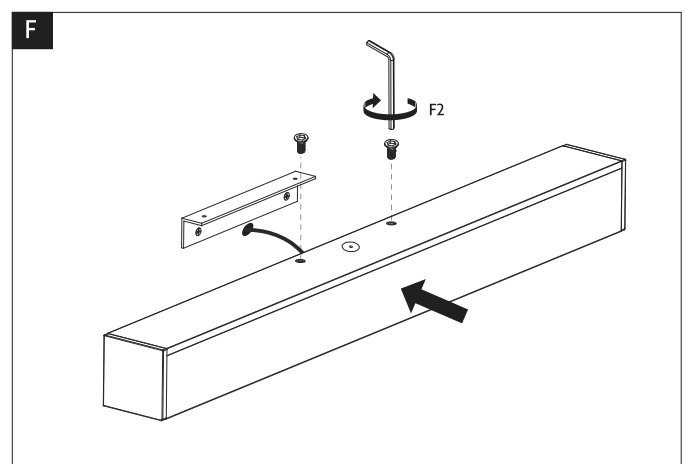
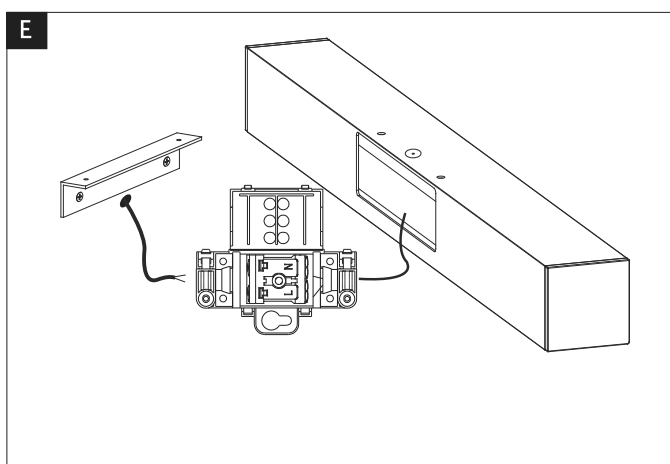
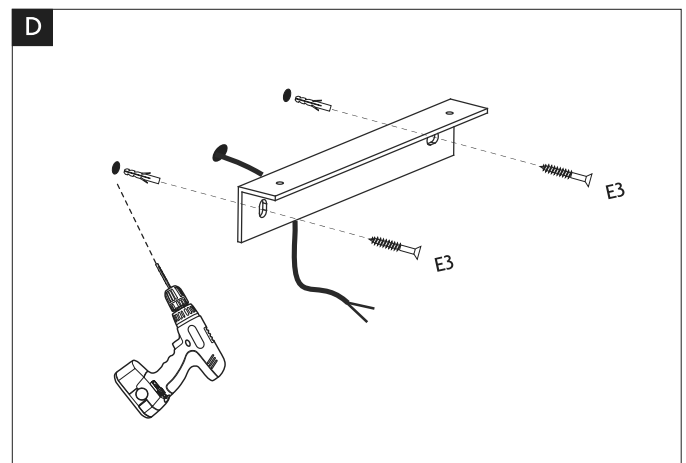
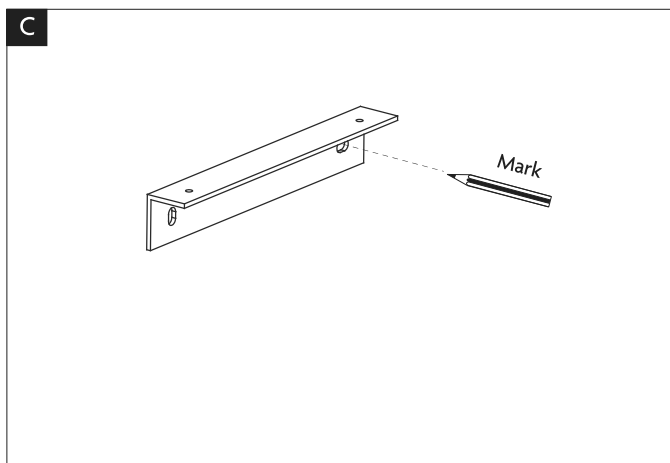
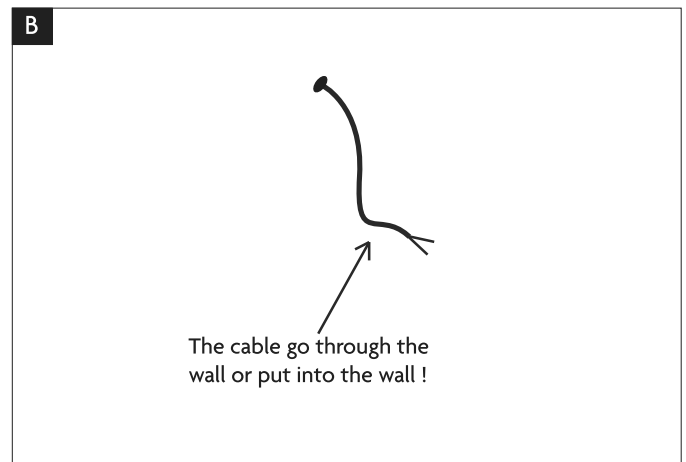
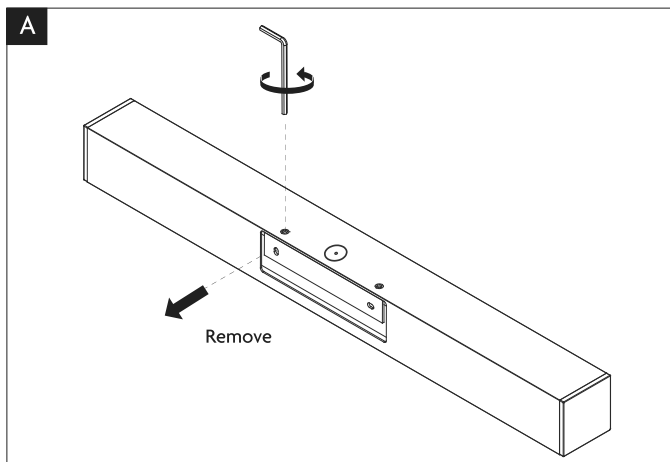
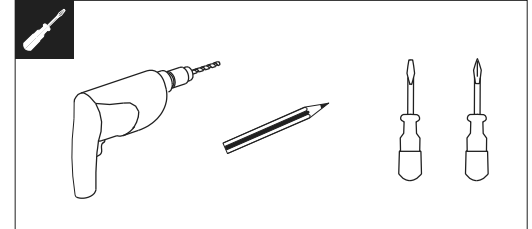
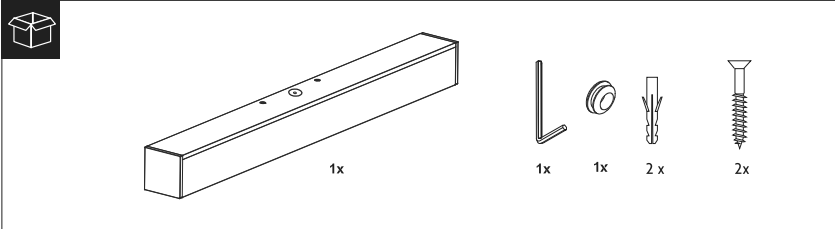


# POSEIDON 2

## Installation manual



			For indoor use only	230V~50/60Hz	DRIVER BUILT-IN	IP44	
--	--	--	---------------------	--------------	-----------------	------	--



**⚠ Safety Notes:**

- Installation should only be done by qualified electrician.
- Make sure no voltage while installation