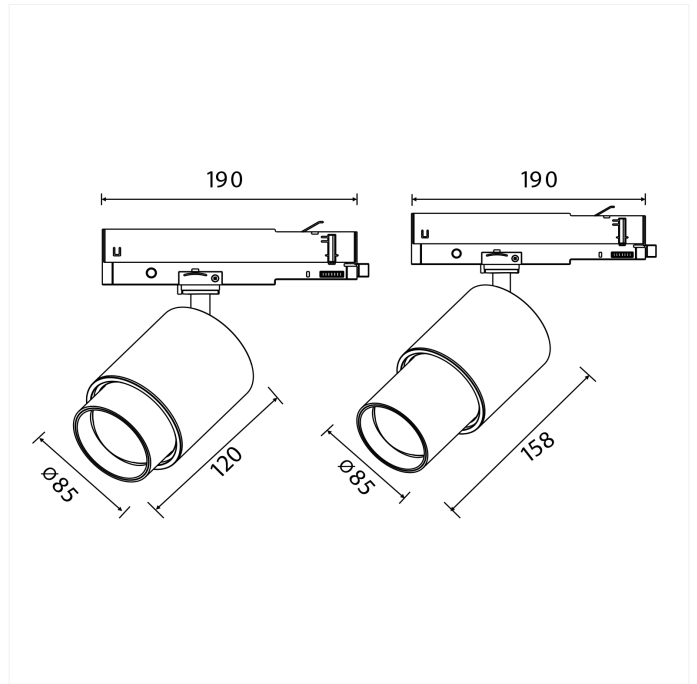




PRODUCT FAMILY SHEET
Zoom Spotlight



Zoom Spotlight

The unique zoom patent makes it possible to vary the beam angle between 6 and 60 degrees making this model highly versatile. The Zoom is available in both black and white versions and is made from robust die-cast aluminum.

VERSIONS

Art.No	Effect [W]	Cold Lumen [lm]	Lumen Output [lm]	CCT [K]	Beam Angle [°]	Lens Difuser	CRI [>]	Color	Light Control	Connection
101140-660-2	20	950		3000	6-60	Clear	80	Black	None	Track 3-Circuit
101141-660-2-p	20	1750		2700	6-60	Clear	90	Black	Phase-Cut	Track 3-Circuit
101142-660-3-p	20	1850		3000	6-60	Clear	90	White	Phase-Cut	Track 3-Circuit
101141-660-3- ddd	20	1750		2700	6-60	Clear	90	White	DALI2	Track 3-Circuit+dim
101141-660-2- ddd	20	1750		2700	6-60	Clear	90	Black	DALI2	Track 3-Circuit+dim
101141-660-3-p	20	1750		2700	6-60	Clear	90	White	Phase-Cut	Track 3-Circuit
101142-660-2- ddd	20	1850		3000	6-60	Clear	90	Black	DALI2	Track 3-Circuit+dim
101142-660-3- ddd	20	1850		3000	6-60	Clear	90	White	DALI2	Track 3-Circuit+dim