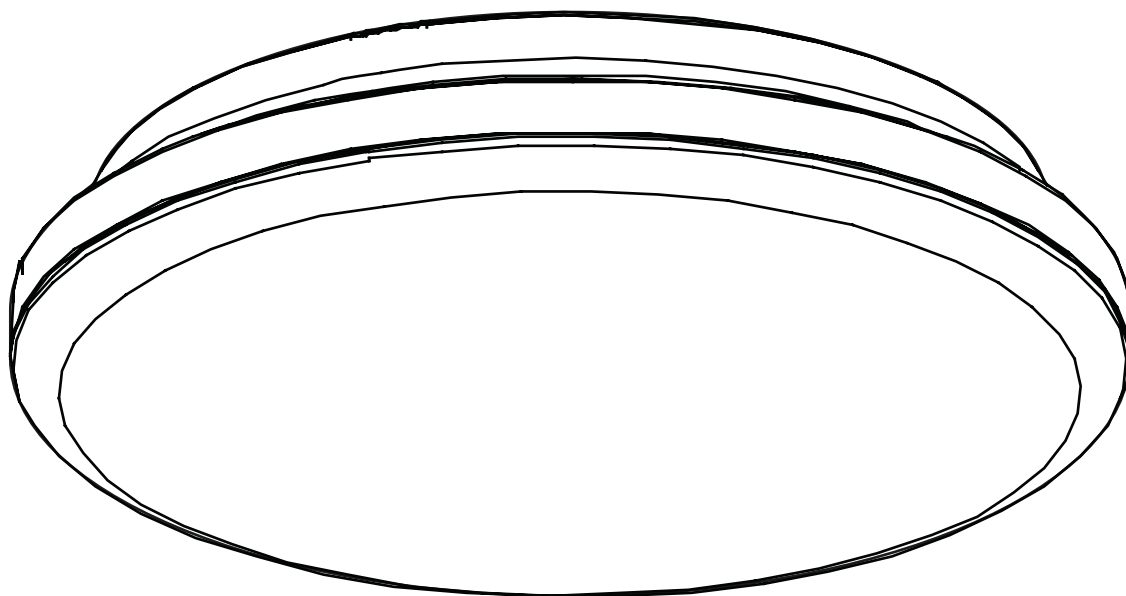


ART. NO.

101570-120-3-p
101571-120-3-ddd
101571-120-3-p
101575-120-3-ddd

NORLUX®*Lighting Solutions*

Celestial

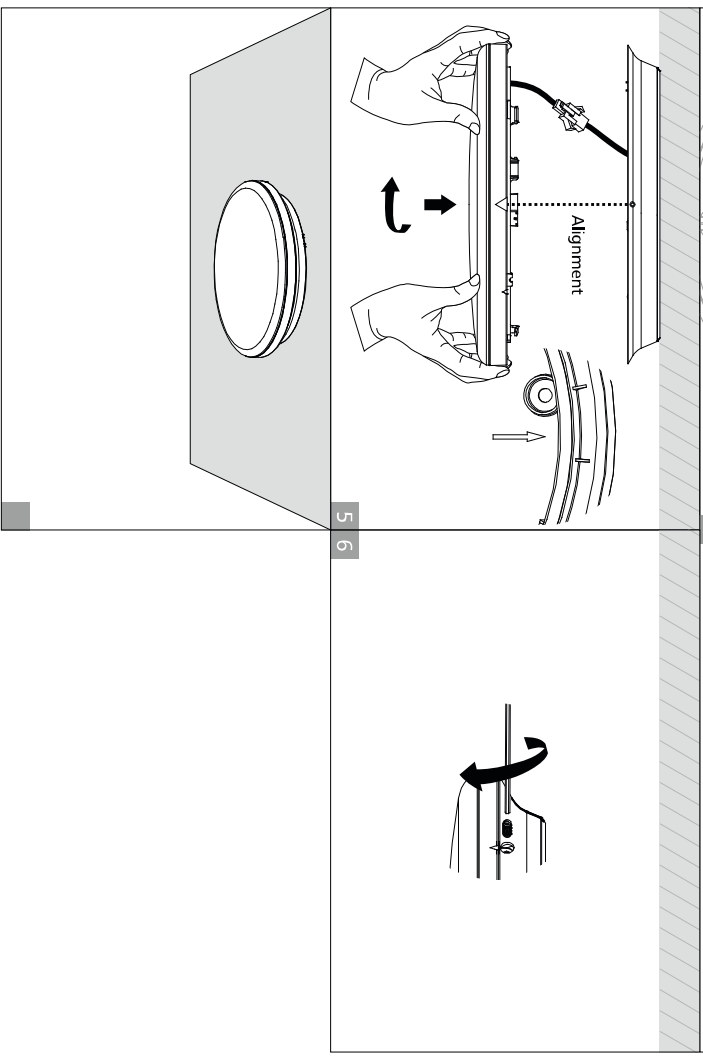
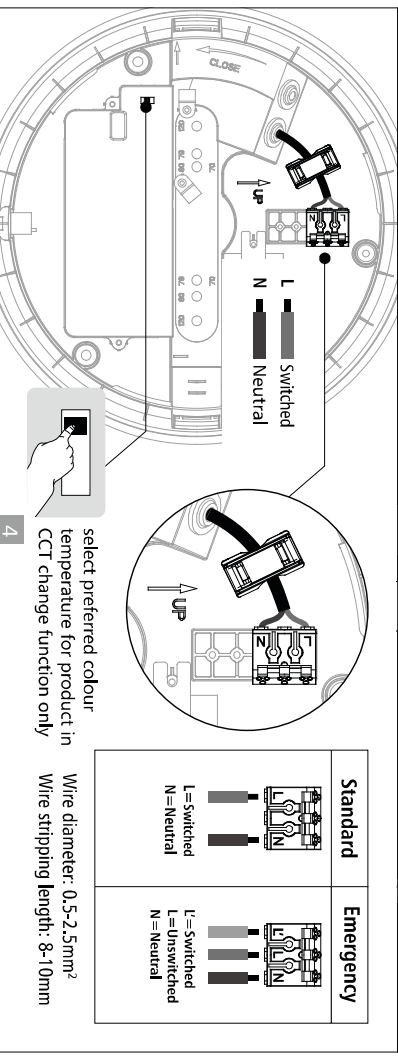
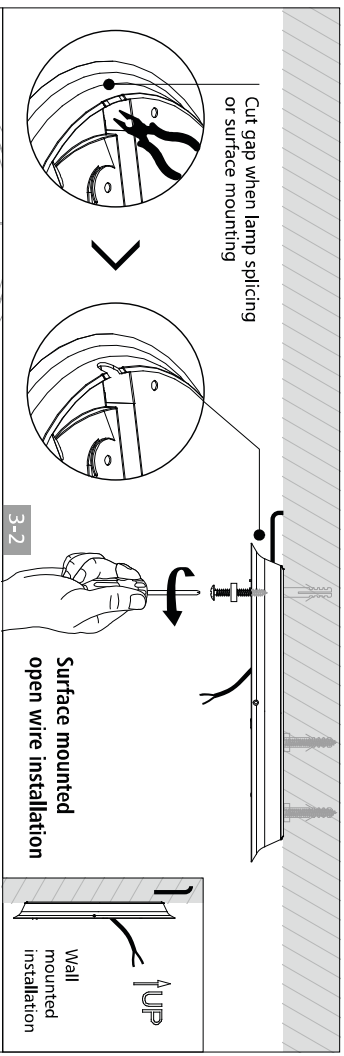
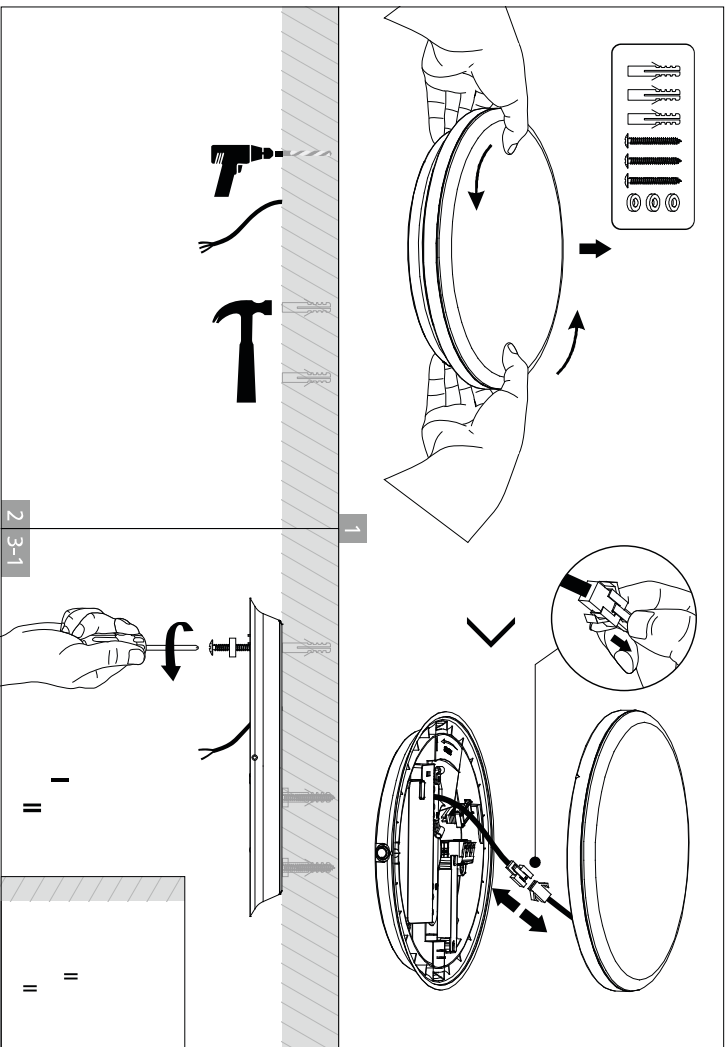
INSTALLATION MANUAL

**⚠ Safety Notes:**

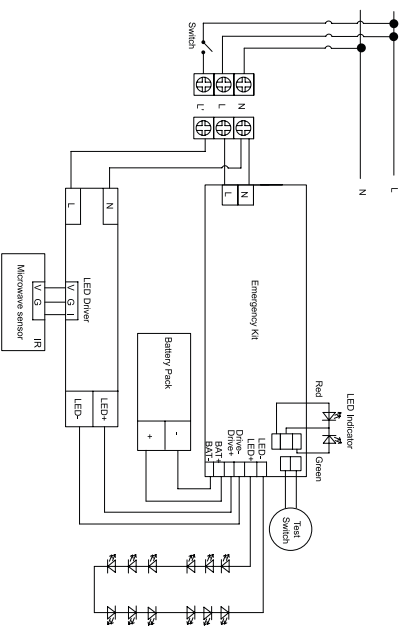
- The product must be installed, maintained, and operated as instructions below.
- Before starting installation of this product, make sure power supply is disconnected.
- Only to be installed by authorized electrician.
- Do not use abrasives or solvents when cleaning.
- Do not install the product if it appears damaged in any way. Check with manufacturer if in doubt.
- Do not modify this fitting in any matter as this will void warranty.
- Check protection class, if class I, it must be earthed.
- Disconnect power supply before maintenance or cleaning.

⚠ Sikkerhetsinformasjon:

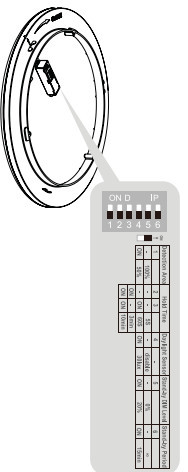
- Følg installasjonsmanual for korrekt montering.
- Koble alltid fra strømmen før montering eller vedlikehold.
- Kan kun monteres av autorisert elektriker.
- Monter ikke produktet hvis det er synlig skade. Kontakt forhandler eller produsent.
- Bruk ikke løsemidler ved rengjøring
- Produktet skal ikke under noen omstendigheter endres eller modifiseres.
- Sjekk produktets isolasjonsklasse. Ved isolasjonsklasse I skal produktet jordes.



Wiring Diagram

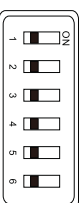


Daylight & Microwave Sensor:



Factory setting:

Detection Area	Hold Time	Daylight Sensor	Stand-by DIM Level	Stand-by Period
100%	5S	disable	0%	∞



Sensor Setting:

Detection Area	1	100%
	-	50%

Detection area:
Detection area can be reduced by selecting the combination on the DIP switches to fit precisely each application.

Notice 1: The test is based on a height of 3m, the radius is the ground detect distance, which can be selected through the slide switch.

Notice 2: The detecting range is measured by human body whose stature is around 1.6-1.7M with medium size and traveling speed is around 1.0-1.5M per second. If the stature, bodily form and traveling speed are changed, then the detecting range will be changed accordingly.

Notice 3: Test result will be highly influenced by test environment, the more open environment, the closer detect distance; the narrower environment, the longer detect distance. The detect range do self-excitation in a narrow environment.

Hold Time	2	3	5S
	-	-	60S
	ON	-	3min
	ON	ON	1min

Hold time:
Refers to the time period the lamp remains at 100% illumination after no motion detected.

Notice 1: The hold time can be selected by the slide switch.

The hold time counting should be started after the sensor is powered on and initialized.

Daylight sensor	4	disable
	ON	30lux

Daylight sensor:
The sensor can be set to only allow the lamp to illuminate below a defined ambient brightness threshold. When set to Disable mode, the daylight sensor will switch on the lamp when motion is detected regardless of ambient light level.

Notice 1: The light threshold can be selected through the slide switch, it may cause a large deviation in different lamps.

Stand-by DIM Level	5	0%
	-	20%

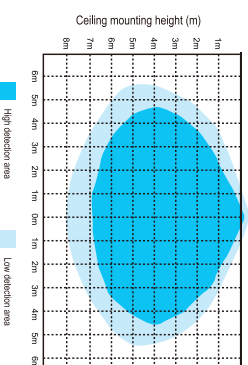
Stand-by dimming level:
This is the dimmed low light output level you would like to have after the hold-time in the absence of people.

Stand-by Period	6	∞
	ON	15min

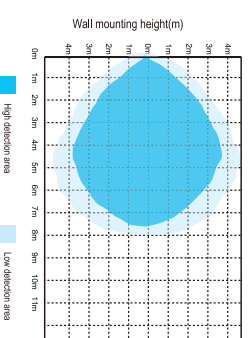
Stand-by period:
This is the time period you would like to keep at the low light output level before it is completely switched off in the long absence of people.

Induction Range

Ceiling Mounting pattern(Unit: m)



Wall Mounting pattern(Unit: m)



Installation Instruction

1. Switch off before installation.
2. Switch on only after complete installation and examination of the circuit.
3. Professional electrician for installation and maintenance only.



Surface mounted installation

