



PRODUCT SHEET

Zeta Mini

Art. no: 1008-7-15-3

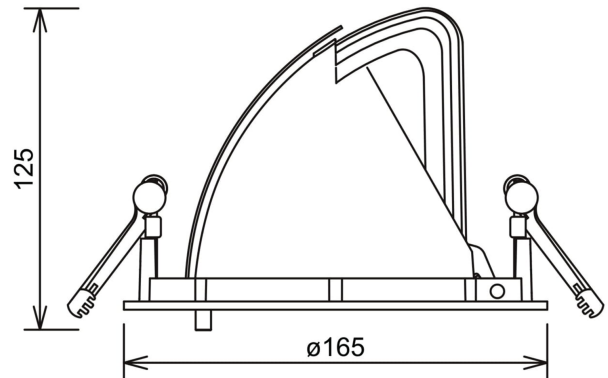


Lighting Solutions

Zeta Mini

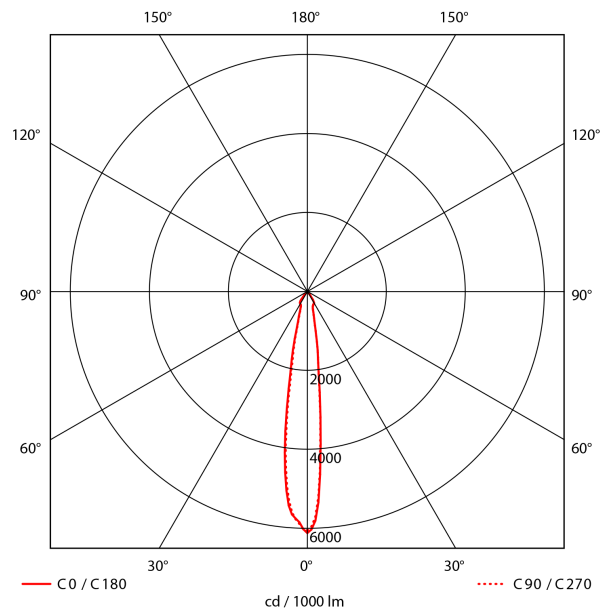


 155mm



SPECIFICATIONS

Lightsource Type:	LED (built in)
System Power [W]:	27W
CCT (Color Temperature):	3000K
CRI / Ra:	90
Lumen Output:	2865lm
Lumen LED (tc=25):	3600lm
Beam Angle:	15°
Lens (Diffuser):	Clear
Dimming:	None
System Voltage [V]:	230V 50Hz
Connection:	18i3 Quick connection
Mounting:	Recessed, Ceiling
Cut-out [mm]:	Ø155mm
Lumen/W:	106lm/W
MacAdam (SDCM):	3
Color:	White
Length [mm]:	165mm
Height [mm]:	125mm
Width [mm]:	165mm
Weight [kg]:	0,95kg
To be recessed in insulation:	No



Zeta Mini is a small flexible LED downlight replacing the well-known Zebra mini, offering the same great quality and adjustment possibilities. The Zeta mini is supplied with 18i3 cable connector and can be delivered with a variety of connection options. The down light is available in three different colors.