



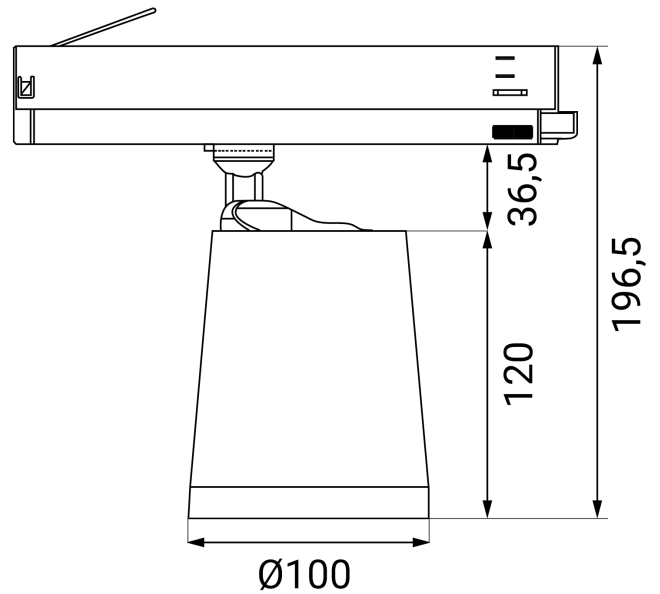
FDV SPEC SHEET

Cone Spotlight

Art. no: 101200-40-2



Lighting Solutions



Cone Spotlight



Art. no: 101200-40-2

LIGHT TECHNICAL

| | |
|--------------------------|----------------|
| Lightsource Type: | LED (built in) |
| Lumen Output: | 2776 |
| Lumen LED (tc=25): | 3800 |
| Beam Angle: | 40 |
| CCT (Color Temperature): | 3000 |
| CRI / Ra: | 80 |
| Color Code: | 830 |
| Lens (Diffuser): | Clear |

MOUNTING / CONNECTION

| | |
|-------------|-----------------|
| Connection: | Track 3-Circuit |
| Mounting: | Track, Ceiling |

ELECTRICAL DATA

| | |
|--------------------------------------|-----------|
| Dimming: | None |
| System Power [W]: | 26 |
| System Voltage [V]: | 230V 50Hz |
| Protection Class: | 1 |
| Max load pr circuit - B10: | 15 |
| Max load pr circuit - B16: | 25 |
| Max load pr circuit - C10: | 25 |
| Max load pr circuit - C16: | 43 |
| Inrush current I _{max} [A]: | 42 |
| Inrush current time [µs]: | 160 |
| Socket / Cap-Base: | N/A |
| Current Output [mA]: | 700 |



FDV SPEC SHEET

Cone Spotlight

Art. no: 101200-40-2



Lighting Solutions

PRODUCT

| | |
|-----------------------------|-----------------|
| Ingress Protection: | IP20 |
| Operating Temperature [°C]: | 0 - 35 |
| Lifetime [h]: | L80B10: 100 000 |
| Color: | Black |
| Height [mm]: | 196,5 |
| Width [mm]: | 100 |
| Weight [kg]: | 0,75 |
| Housing Material : | Aluminium |
| Housing Material : | Aluminium |