



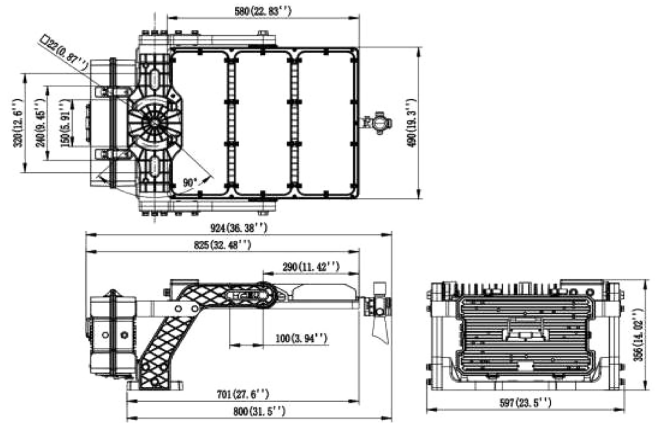
FDV SPEC SHEET

X-Flood

Art. no: 101313-04-2



Lighting Solutions



X-Flood



Art. no: 101313-04-2

LIGHT TECHNICAL

Lightsource Type:	LED (built in)
Lumen Output:	186000
Lumen LED (tc=25):	186000
CCT (Color Temperature):	3000
CRI / Ra:	70
Color Code:	740
Lens (Diffuser):	Lens

PRODUCT

Ingress Protection:	IP66
Impact Protection:	IK08
Operating Temperature [°C]:	-30 - 40
Lifetime [h]:	L80B10: 100 000
Color:	Black
Length [mm]:	700
Height [mm]:	510
Width [mm]:	145
Weight [kg]:	33
Housing Material :	Aluminium

ELECTRICAL DATA

Dimming:	None
System Power [W]:	1200
System Voltage [V]:	230V 50Hz
Protection Class:	1
Max load pr circuit - B16:	1
Max load pr circuit - C10:	1
Max load pr circuit - C16:	2
Leakage current [mA]:	1,5
Inrush current I _{max} [A]:	78
Inrush current time [µs]:	650

MOUNTING / CONNECTION

Connection:	Terminal
Mounting:	Wall, Mast