



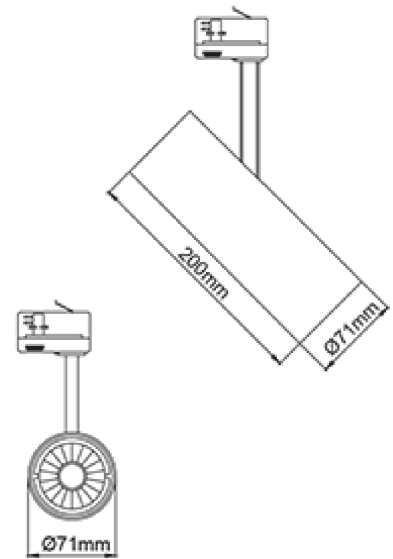
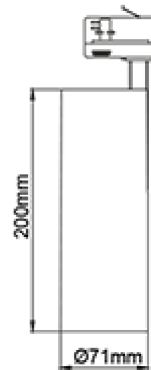
FDV SPEC SHEET

Silindir 70

Art. no: 1081-7-40-2



Lighting Solutions



Silindir 70



Art. no: 1081-7-40-2

LIGHT TECHNICAL

Lightsource Type:	LED (built in)
Lumen Output:	2400
Lumen LED (tc=25):	2500
Beam Angle:	40°
CCT (Color Temperature):	3000
CRI / Ra:	90
Color Code:	930
MacAdam (SDCM):	3
Lens (Diffuser):	Clear

MOUNTING / CONNECTION

Connection:	Track 3-Circuit
Mounting:	Track, Ceiling

ELECTRICAL DATA

Dimming:	None
System Power [W]:	20
System Voltage [V]:	230V 50Hz
Protection Class:	1
Max load pr circuit - B10:	14
Max load pr circuit - B16:	24
Max load pr circuit - C10:	24
Max load pr circuit - C16:	40
Inrush current I _{max} [A]:	25
Inrush current time [µs]:	150
Voltage Forward Min [V]:	29,3
Voltage Forward Max [V]:	38,7



FDV SPEC SHEET

Silindir 70

Art. no: 1081-7-40-2



Lighting Solutions

PRODUCT

Ingress Protection:	IP20
Lifetime [h]:	L80B10: 100 000
Color:	Black
Length [mm]:	71
Height [mm]:	215
Width [mm]:	71
Weight [kg]:	1