



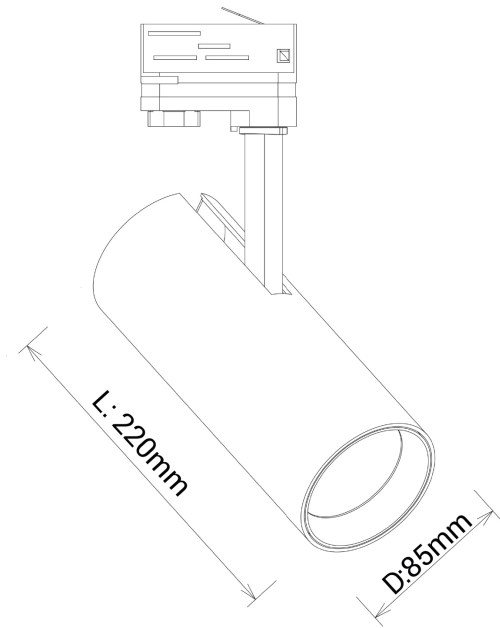
## FDV SPEC SHEET

Cylinder 85

Art. no: 17158-30-3



Lighting Solutions



# Cylinder 85



Art. no: 17158-30-3

### LIGHT TECHNICAL

Lightsource Type:	LED (built in)
Lumen LED (tc=25):	2950
Beam Angle:	30°
CCT (Color Temperature):	Arctic White
CRI / Ra:	95
Color Code:	Arctic White
MacAdam (SDCM):	3
Lens (Diffuser):	Clear
UGR (<=):	19

### MOUNTING / CONNECTION

Connection:	Track 3-Circuit
Mounting:	Track, Ceiling

### ELECTRICAL DATA

Dimming:	None
System Power [W]:	28
System Voltage [V]:	230V 50Hz
Protection Class:	1
Max load pr circuit - B10:	14
Max load pr circuit - B16:	24
Max load pr circuit - C10:	24
Max load pr circuit - C16:	40
Inrush current I <sub>max</sub> [A]:	25
Inrush current time [μs]:	150
Current Output [mA]:	700
Voltage Forward Min [V]:	29,2
Voltage Forward Max [V]:	41,6



## FDV SPEC SHEET

Cylinder 85

Art. no: 17158-30-3



*Lighting Solutions*

### PRODUCT

Ingress Protection:	IP20
Color:	White
Length [mm]:	220
Height [mm]:	250
Width [mm]:	85
Weight [kg]:	1,2