



PRODUCT SHEET

Seta Mini

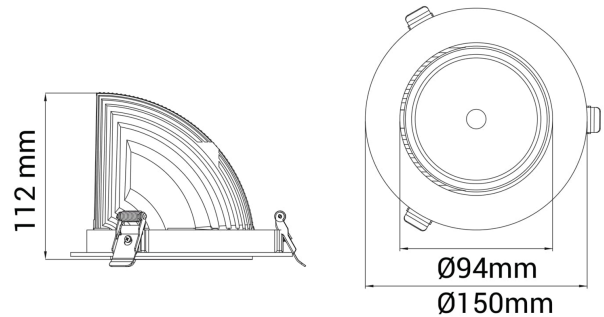
Art. no: 30321-7-30-3



Lighting Solutions

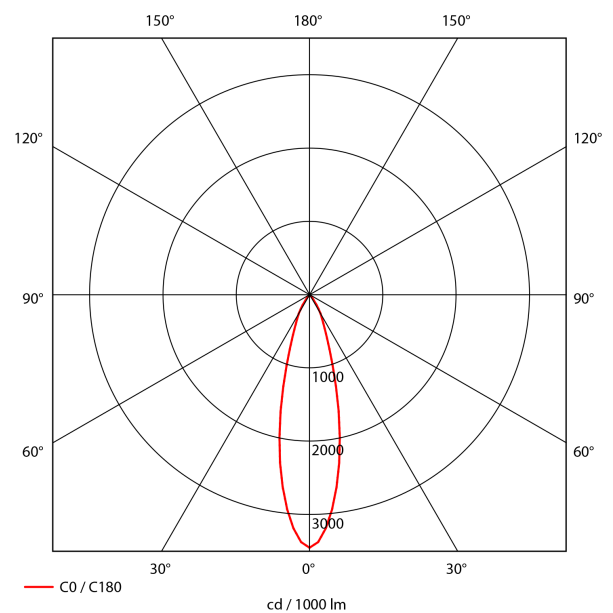
Seta Mini

 140mm



SPECIFICATIONS

Lightsource Type:	LED (built in)
System Power [W]:	27W
CCT (Color Temperature):	3500K
CRI / Ra:	90
Lumen Output:	3400lm
Lumen LED (tc=25):	3650lm
Beam Angle:	30°
Lens (Diffuser):	Clear
Dimming:	None
System Voltage [V]:	230V 50Hz
Connection:	18i3 Quick connection
Mounting:	Recessed, Ceiling
Cut-out [mm]:	Ø140mm
Lifetime [h]:	L80B10: 100 000h
Lumen/W:	121lm/W
MacAdam (SDCM):	3
Color:	White
Length [mm]:	150mm
Height [mm]:	112mm
Width [mm]:	150mm
Weight [kg]:	0,95kg
To be recessed in insulation:	Not applicable



Seta Mini is a small and very flexible LED downlight offering great number of adjustment possibilities. The Seta Mini is supplied with a cable connector type 18i3- and can be delivered with a variety of connector options. The downlight is available in three different colors and with a wide range of reflectors. Rotatable 350° and tiltable 70°.