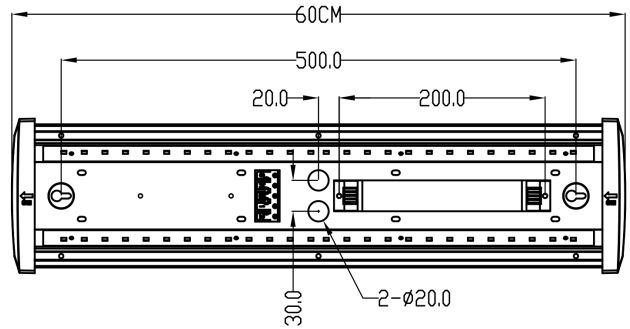




FDV SPEC SHEET
 Universal IP44
 Art. no: 8070-MW-105-3



Universal IP44



Art. no: 8070-MW-105-3

LIGHT TECHNICAL

| | |
|--------------------------|----------------|
| Lightsource Type: | LED (built in) |
| Lumen Output: | 1782 |
| Lumen LED (tc=25): | 2000 |
| Beam Angle: | 105° |
| CCT (Color Temperature): | 3000 |
| CRI / Ra: | 80 |
| Color Code: | 830 |
| MacAdam (SDCM): | 3 |
| Lens (Diffuser): | PMMA Opal |

MOUNTING / CONNECTION

| | |
|-----------------------|------------------|
| Connection: | QuickConnect |
| Through-wiring (mm2): | 5x2,5 |
| Mounting: | Surface, Ceiling |

ELECTRICAL DATA

| | |
|---------------------|-------------|
| Dimming: | Sensor (MW) |
| System Power [W]: | 16 |
| System Voltage [V]: | 230V 50Hz |
| Protection Class: | 1 |
| Socket / Cap-Base: | N/A |



FDV SPEC SHEET

Universal IP44

Art. no: 8070-MW-105-3



Lighting Solutions

PRODUCT

| | |
|-----------------------------|-----------------|
| Ingress Protection: | IP44 |
| Operating Temperature [°C]: | -20 - 25 |
| Lifetime [h]: | L80B10: 100 000 |
| Color: | White |
| Length [mm]: | 600 |
| Height [mm]: | 59 |
| Width [mm]: | 150 |
| Weight [kg]: | 1,4 |