



PRODUCT SHEET

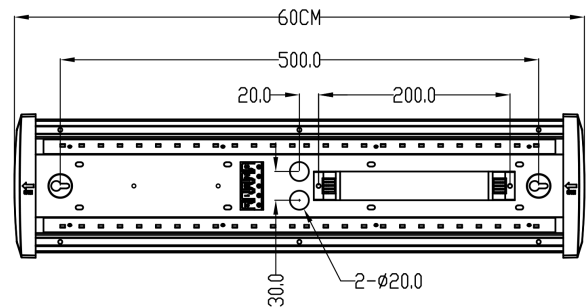
Universal IP44

Art. no: 8070-MW-105-3



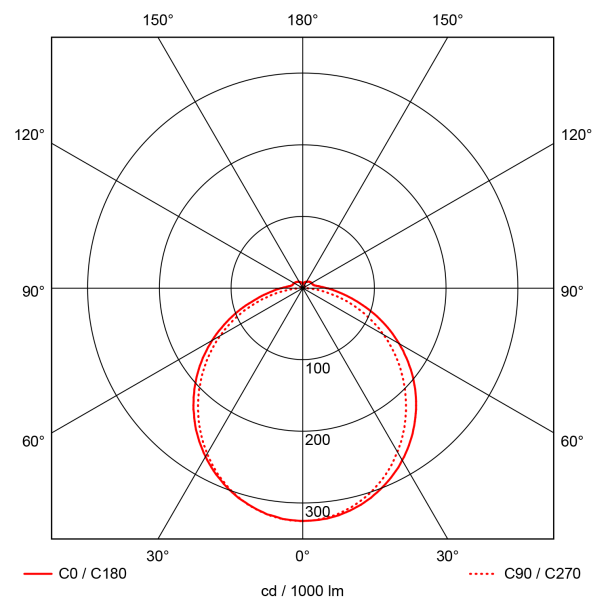
Lighting Solutions

Universal IP44



SPECIFICATIONS

Lightsource Type:	LED (built in)
System Power [W]:	16W
CCT (Color Temperature):	3000K
CRI / Ra:	80
Lumen Output:	1782lm
Lumen LED (tc=25):	2000lm
Beam Angle:	105°
Lens (Diffuser):	PMMA Opal
Dimming:	Sensor (MW)
System Voltage [V]:	230V 50Hz
Connection:	QuickConnect
Mounting:	Surface, Ceiling
Lifetime [h]:	L80B10: 100 000h
Lumen/W:	117lm/W
MacAdam (SDCM):	3
Through-wiring (mm2):	5x2,5
Color:	White
Length [mm]:	600mm
Height [mm]:	59mm
Width [mm]:	150mm
Weight [kg]:	1,4kg



Sensor settings are changed with a dipswitch. Choose between the following settings.

Microwave detection range: 10%, 25%, 50%, 75% or 100%.

Standby time: 5s, 30s, 90s, 3min, 20min or 30min

Daylight sensor: 2lux, 10lux, 25lux, 50lux or off.

Default setting: 100% detection range, hold time 5 seconds and daylight sensor off.