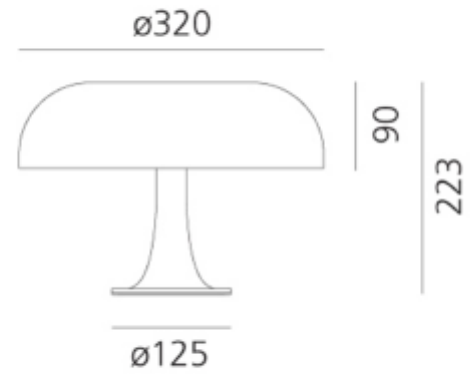


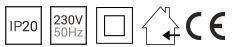


## FDV SPEC SHEET

Nessino Orange  
Art. no: 0039070A



# Nessino Orange



Art. no: 0039070A

### LIGHT TECHNICAL

Lightsource Type:	LED (replaceable)
Lumen Output:	680
Socket / Cap-Base:	E14
CCT (Color Temperature):	3000

### MOUNTING / CONNECTION

Connection:	Terminal
Mounting:	Table

### PRODUCT

Ingress Protection:	IP20
Color:	Orange
Height [mm]:	223
Width [mm]:	320

### ELECTRICAL DATA

Max. Power [W]:	4x20
System Voltage [V]:	230V 50Hz
Protection Class:	2
Socket / Cap-Base:	E14