



FDV SPEC SHEET

Apto

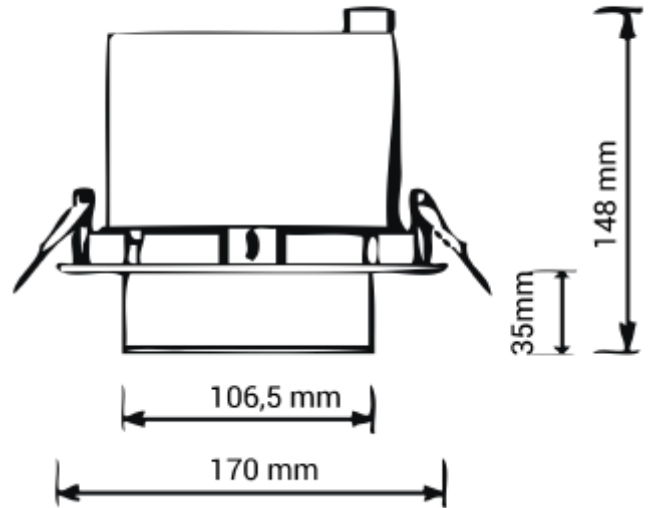
Art. no: 01002-30-3-ddd



Lighting Solutions



160mm



Apto



Art. no: 01002-30-3-ddd

LIGHT TECHNICAL

Lightsource Type:	LED (built in)
Lumen Output:	2116
Beam Angle:	30°
CCT (Color Temperature):	3000
CRI / Ra:	80
Color Code:	830
MacAdam (SDCM):	3
Lens (Diffuser):	Clear

MOUNTING / CONNECTION

Connection:	18i5 DALI Quick connection
Cut-out [mm]:	Ø160
Mounting:	Recessed, Ceiling

ELECTRICAL DATA

UGR (<=):	18
Dimming:	DALI
System Power [W]:	18
System Voltage [V]:	230V 50Hz
Protection Class:	2
Max load pr circuit - B10:	30
Max load pr circuit - B16:	60
Max load pr circuit - C10:	60
Max load pr circuit - C16:	120
Inrush current I _{max} [A]:	10
Inrush current time [µs]:	100
Socket / Cap-Base:	N/A
Voltage Forward Min [V]:	28,5
Voltage Forward Max [V]:	39



FDV SPEC SHEET

Apto

Art. no: 01002-30-3-ddd



Lighting Solutions

PRODUCT

To be recessed in insulation:	No
Ingress Protection:	IP20
Color:	White
Height [mm]:	148
Diameter [mm]:	170
Weight [kg]:	1,15