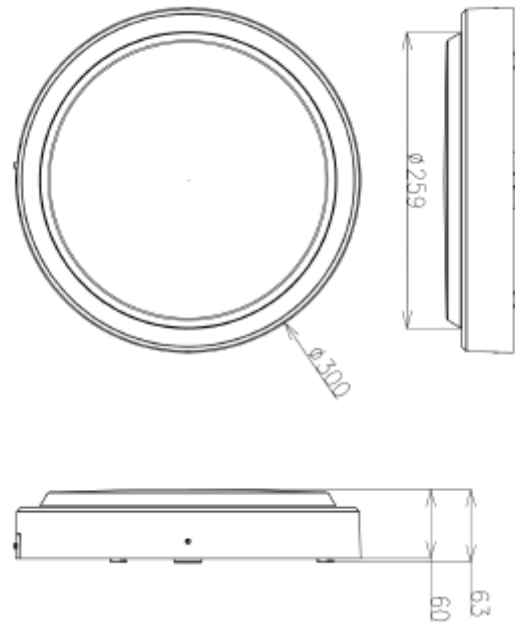




FDV SPEC SHEET
 Yil
 Art. no: 10101-2-01-2-ddd



Yil



Art. no: 10101-2-01-2-ddd

LIGHT TECHNICAL	
Lumen Output:	2740
Lumen LED (tc=25):	2900
Beam Angle:	120°
CCT (Color Temperature):	3/4/5700
CRI / Ra:	80
Color Code:	830/840/857
MacAdam (SDCM):	3
Lens (Diffuser):	PC Opal

ELECTRICAL DATA	
Dimming:	DALI2
System Power [W]:	20/25
System Voltage [V]:	230V 50Hz
Protection Class:	1
Max load pr circuit - C10:	47
Max load pr circuit - C16:	76

MOUNTING / CONNECTION	
Connection:	QuickConnect
Mounting:	Wall, Ceiling



FDV SPEC SHEET

Yil

Art. no: 10101-2-01-2-ddd



Lighting Solutions

PRODUCT

Ingress Protection:	IP65
Impact Protection:	IK10
Operating Temperature [°C]:	-20 - 45
Lifetime [h]:	L80B10: 100 000
Color:	Black
RAL:	RAL9005
Height [mm]:	63
Width [mm]:	300
Weight [kg]:	2,04
Housing Material :	Aluminium