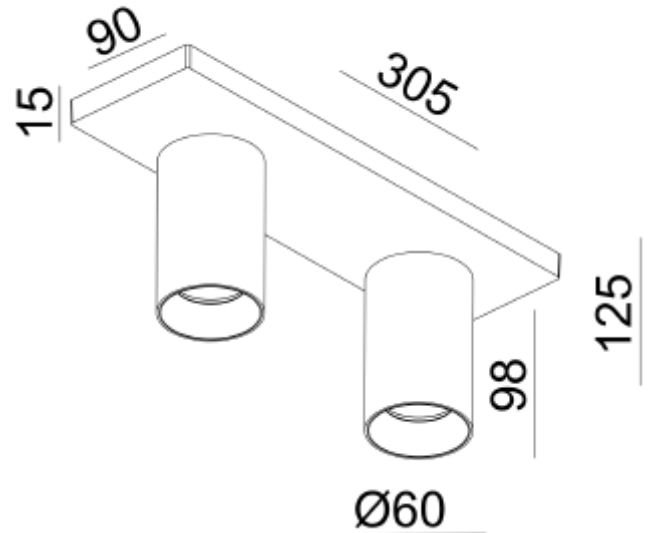




## FDV SPEC SHEET

Tania Mini S2 2xGU10 max 7,5W led BK  
Art. no: 101082-2



# Tania Mini S2 2xGU10 max 7,5W led BK



Art. no: 101082-2

### LIGHT TECHNICAL

Lightsource Type:	Lightsource not included
Socket / Cap-Base:	GU10

### MOUNTING / CONNECTION

Connection:	Terminal
Mounting:	Surface, Ceiling

### PRODUCT

Ingress Protection:	IP20
Color:	Black
Length [mm]:	305
Height [mm]:	125
Width [mm]:	90

### ELECTRICAL DATA

Dimming:	Light bulb dependent
Max. Power [W]:	2x7,5
System Voltage [V]:	230V 50Hz
Protection Class:	1
Socket / Cap-Base:	GU10