



PRODUCT SHEET

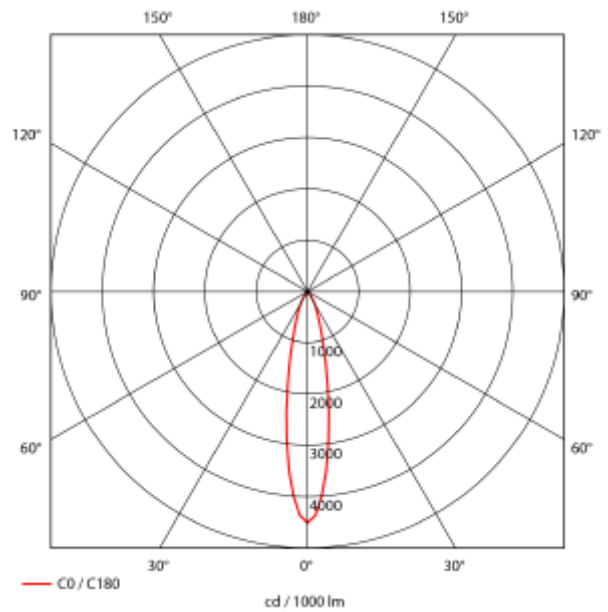
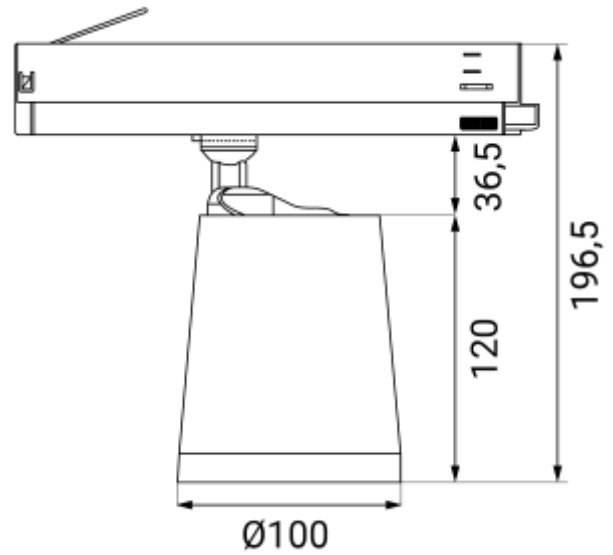
Cone Spotlight

Art. no: 101203-20-3



Lighting Solutions

Cone Spotlight



SPECIFICATIONS

| | |
|--------------------------|------------------|
| Lightsource Type: | LED (built in) |
| System Power [W]: | 26W |
| CCT (Color Temperature): | 3000K |
| CRI / Ra: | 90 |
| Lumen Output: | 3125lm |
| Lumen LED (tc=25): | 3200lm |
| Beam Angle: | 20 |
| Lens (Diffuser): | Clear |
| Dimming: | None |
| System Voltage [V]: | 230V 50Hz |
| Connection: | Track 3-Circuit |
| Mounting: | Track, Ceiling |
| Lifetime [h]: | L80B10: 100 000h |
| Lumen/W: | 120lm/W |
| MacAdam (SDCM): | 3 |
| Color: | White |
| Height [mm]: | 196,5mm |
| Width [mm]: | 100mm |
| Weight [kg]: | 0,75kg |

Cone shaped spotlight with high lumen efficiency for use in 3-circuit track. Available in black and white color with 3000K and CRI 90.