



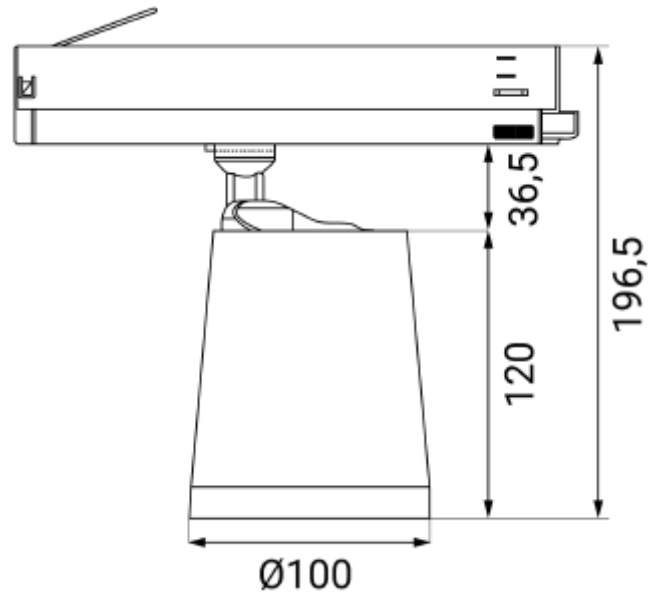
## FDV SPEC SHEET

Cone Spotlight

Art. no: 101203-20H-1



*Lighting Solutions*



# Cone Spotlight



Art. no: 101203-20H-1

### LIGHT TECHNICAL

|                          |                |
|--------------------------|----------------|
| Lightsource Type:        | LED (built in) |
| Lumen LED (tc=25):       | 3200           |
| Beam Angle:              | 20°            |
| CCT (Color Temperature): | 3000           |
| CRI / Ra:                | 90             |
| Color Code:              | 930            |
| Lens (Diffuser):         | honeycomb      |

### MOUNTING / CONNECTION

|             |                 |
|-------------|-----------------|
| Connection: | Track 3-Circuit |
| Mounting:   | Track, Ceiling  |

### ELECTRICAL DATA

|                     |           |
|---------------------|-----------|
| Dimming:            | None      |
| System Power [W]:   | 26        |
| System Voltage [V]: | 230V 50Hz |
| Protection Class:   | 1         |
| Socket / Cap-Base:  | N/A       |



## FDV SPEC SHEET

Cone Spotlight

Art. no: 101203-20H-1



*Lighting Solutions*

### PRODUCT

|                             |                 |
|-----------------------------|-----------------|
| Ingress Protection:         | IP20            |
| Operating Temperature [°C]: | 0 - 35          |
| Lifetime [h]:               | L80B10: 100 000 |
| Color:                      | Grey            |
| Height [mm]:                | 196,5           |
| Width [mm]:                 | 100             |
| Weight [kg]:                | 0,75            |
| Housing Material :          | Aluminium       |
| Housing Material :          | Aluminium       |