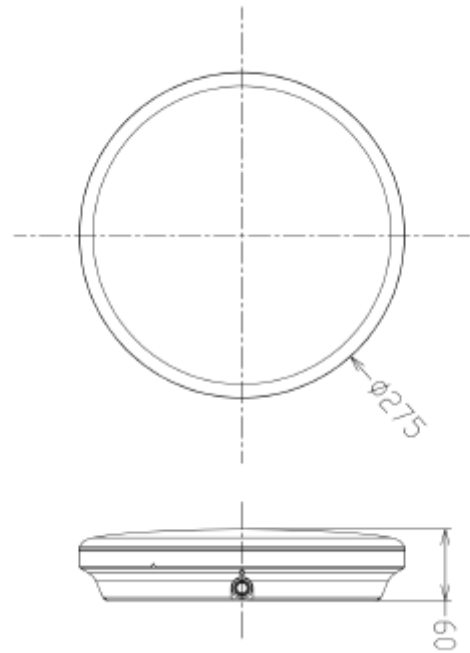
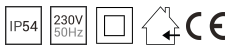




FDV SPEC SHEET
 Celestial Plafond
 Art. no: 101571-120-3-ddd



Celestial Plafond



Art. no: 101571-120-3-ddd

LIGHT TECHNICAL	
Lightsource Type:	LED (built in)
Lumen Output:	1913
Lumen LED (tc=25):	2100
Beam Angle:	120°
CCT (Color Temperature):	2700-3000K
CRI / Ra:	80
MacAdam (SDCM):	3
Lens (Diffuser):	Opal
MOUNTING / CONNECTION	
Connection:	QuickConnect
Mounting:	Wall, Ceiling

ELECTRICAL DATA	
Dimming:	DALI, DALI2, Push
Dimming Output Type:	Amplitude Modulation
Standby power P _{sb} (W) <:	0,5
Flicker metric (P _{st} LM) <:	1
Stroboscopic effect metric (SVM) <	0,4
System Power [W]:	18
System Voltage [V]:	230V 50Hz
Protection Class:	2
Max load pr circuit - C10:	66
Max load pr circuit - C16:	106
Leakage current [mA]:	0,75
Inrush current I _{max} [A]:	8,08
Inrush current time [µs]:	42
Current Output [mA]:	400



FDV SPEC SHEET
Celestial Plafond
Art. no: 101571-120-3-ddd



PRODUCT	
Ingress Protection:	IP54
Impact Protection:	IK06
Operating Temperature [°C]:	-20 - 45
Lifetime [h]:	L80B10: 100 000
Color:	White
RAL:	RAL9016
Height [mm]:	60
Width [mm]:	275
Weight [kg]:	0,75
Housing Material :	Polycarbonate
Diffuser Material:	Polycarbonate