



PRODUCT SHEET

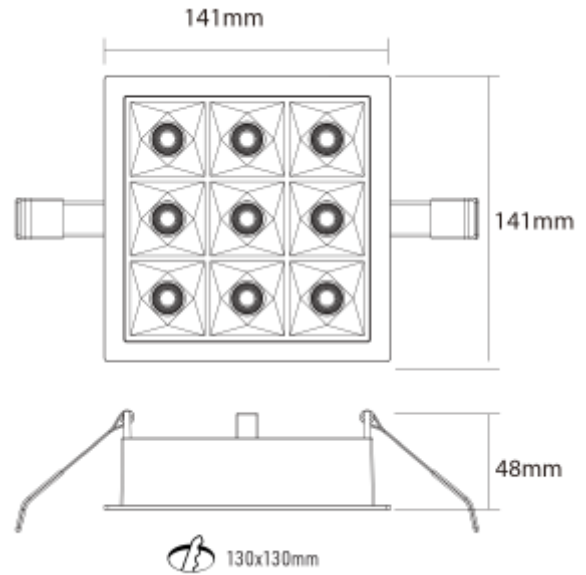
Phoenix Downlight

Art. no: 101851-01-2



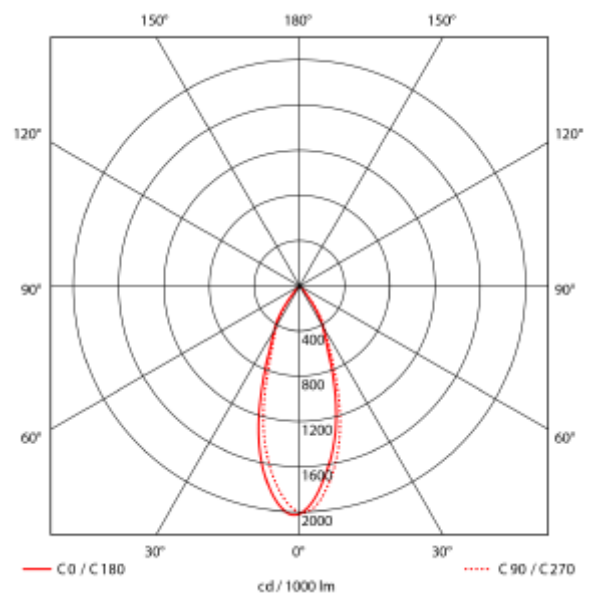
Lighting Solutions

Phoenix Downlight



SPECIFICATIONS

Lightsource Type:	LED (built in)
System Power [W]:	8/18W
CCT (Color Temperature):	3000K
CRI / Ra:	80
Lumen Output:	1650lm
Lumen LED (tc=25):	1850lm
Beam Angle:	35°
Lens (Diffuser):	Clear
Dimming:	Depending on Driver
Flickerfree:	Yes
System Voltage [V]:	230V 50Hz
Connection:	Depending on driver
Mounting:	Recessed, Ceiling
Cut-out [mm]:	130x130mm
Lifetime [h]:	L80B10: 50.000h
Lumen/W:	92lm/W
UGR (<=):	17
MacAdam (SDCM):	3
Color:	Black
Length [mm]:	141mm
Height [mm]:	48mm
Width [mm]:	141mm
Weight [kg]:	0,6kg
To be recessed in insulation:	No



Phoenix Downlight has the latest LED technology, with micro reflector and anti-glare cover it reaches UGR17. With 35° beam angle and perfect light cutoff it's the ideal downlight for office, hotel, staircase, and corridors. Delivered with out driver, see accessories to find suitable driver.