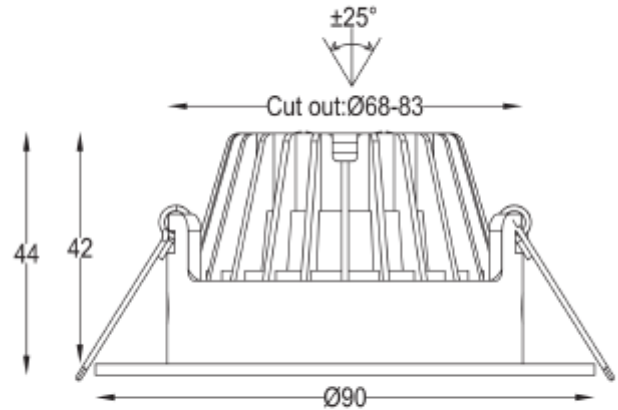
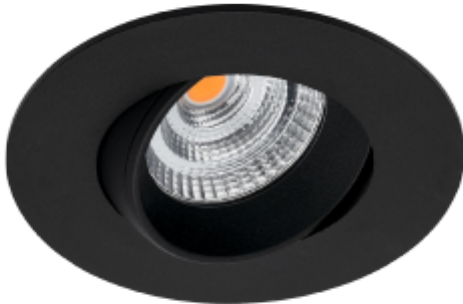


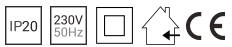


FDV SPEC SHEET

Icarus 500lm 927 36° 7W BK phasecut Isosafe
Art. no: 101970-36-2



Icarus 500lm 927 36° 7W BK phasecut Isosafe



Art. no: 101970-36-2

LIGHT TECHNICAL

Lightsource Type:	LED (built in)
Lumen Output:	456
Lumen LED (tc=25):	500
Beam Angle:	36°
CCT (Color Temperature):	2700
CRI / Ra:	95
Color Code:	927
MacAdam (SDCM):	3
Lens (Diffuser):	Clear



FDV SPEC SHEET

Icarus 500lm 927 36° 7W BK phasecut Isosafe

Art. no: 101970-36-2



MOUNTING / CONNECTION

Connection: QuickConnect

Cut-out [mm]: Ø68-83

Mounting: Ceiling

PRODUCT

To be recessed in insulation: Yes, recessed in insulation

Ingress Protection: IP20

Impact Protection: IK02

Operating Temperature [°C]: -20 - 45

Lifetime [h]: L80B10: 100 000

Color: Black

RAL: RAL9005

Height [mm]: 55

Diameter [mm]: 90

Weight [kg]: 0,3

Housing Material : Aluminium

Diffuser Material: Polycarbonate

Material 2: Polycarbonate

Housing Material : Aluminium

Diffuser Material: Polycarbonate

Material 2: Polycarbonate

ELECTRICAL DATA

UGR (<=): 22

Dimming: Phase-Cut

Dimming Phasecut Type: Leading / Trailing edge

Flickerfree: Yes

Standby power P_{sb} (W) <: 0,5

Flicker metric (P_{st} LM) <: 1

Stroboscopic effect metric (SVM) <: 0,4

System Power [W]: 7

System Voltage [V]: 230V 50Hz

Protection Class: 2

Max load pr circuit - B10: 87

Max load pr circuit - B16: 225

Max load pr circuit - C10: 175

Max load pr circuit - C16: 450

Leakage current [mA]: 5

Inrush current I_{max} [A]: 8

Inrush current time [µs]: 13,5

Socket / Cap-Base: N/A

Current Output [mA]: 350

Voltage Forward Min [V]: 13,4

Voltage Forward Max [V]: 15,8