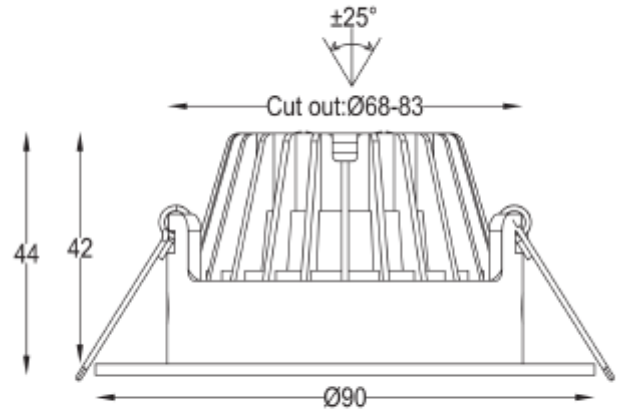


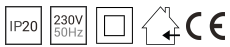


FDV SPEC SHEET

Icarus 500lm 927 36° 7W WH phasecut Isosafe 8-pack
Art. no: 101975-36-3



Icarus 500lm 927 36° 7W WH phasecut Isosafe 8-pack



Art. no: 101975-36-3

LIGHT TECHNICAL

| | |
|--------------------------|----------------|
| Lightsource Type: | LED (built in) |
| Lumen Output: | 456 |
| Lumen LED (tc=25): | 500 |
| Beam Angle: | 36° |
| CCT (Color Temperature): | 2700 |
| CRI / Ra: | 95 |
| Color Code: | 927 |
| MacAdam (SDCM): | 3 |
| Lens (Diffuser): | Clear |



FDV SPEC SHEET

Icarus 500lm 927 36° 7W WH phasecut Isosafe 8-pack
Art. no: 101975-36-3



MOUNTING / CONNECTION

| | |
|---------------|--------------|
| Connection: | QuickConnect |
| Cut-out [mm]: | Ø68-83 |
| Mounting: | Ceiling |

PRODUCT

| | |
|-------------------------------|-----------------------------|
| To be recessed in insulation: | Yes, recessed in insulation |
| Ingress Protection: | IP20 |
| Impact Protection: | IK02 |
| Operating Temperature [°C]: | -20 - 45 |
| Lifetime [h]: | L80B10: 100 000 |
| Color: | White |
| RAL: | RAL9010 |
| Height [mm]: | 55 |
| Diameter [mm]: | 90 |
| Weight [kg]: | 0,3 |
| Housing Material : | Aluminium |
| Diffuser Material: | Polycarbonate |
| Material 2: | Polycarbonate |
| Housing Material : | Aluminium |
| Diffuser Material: | Polycarbonate |
| Material 2: | Polycarbonate |

ELECTRICAL DATA

| | |
|--|-------------------------|
| UGR (<=): | 22 |
| Dimming: | Phase-Cut |
| Dimming Phasecut Type: | Leading / Trailing edge |
| Flickerfree: | Yes |
| Standby power P _{sb} (W) <: | 0,5 |
| Flicker metric (P _{st} LM) <: | 1 |
| Stroboscopic effect metric (SVM) < | 0,4 |
| System Power [W]: | 7 |
| System Voltage [V]: | 230V 50Hz |
| Protection Class: | 2 |
| Max load pr circuit - B10: | 87 |
| Max load pr circuit - B16: | 225 |
| Max load pr circuit - C10: | 175 |
| Max load pr circuit - C16: | 450 |
| Leakage current [mA]: | 5 |
| Inrush current I _{max} [A]: | 8 |
| Inrush current time [µs]: | 13,5 |
| Socket / Cap-Base: | N/A |
| Current Output [mA]: | 350 |
| Voltage Forward Min [V]: | 13,4 |
| Voltage Forward Max [V]: | 15,8 |