



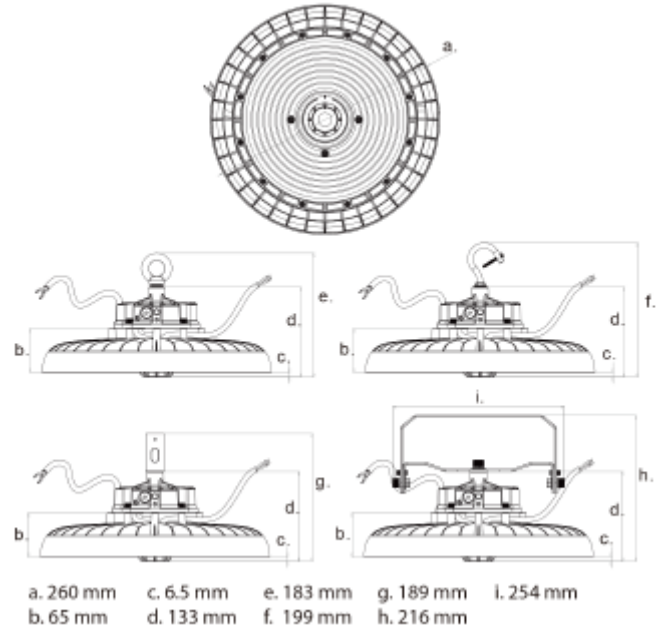
FDV SPEC SHEET

Ufo U High Bay

Art. no: 102331-02-2



Lighting Solutions



Ufo U High Bay



Art. no: 102331-02-2

LIGHT TECHNICAL

Lightsource Type:	LED (built in)
Lumen LED (tc=25):	18000
Beam Angle:	120°
CCT (Color Temperature):	4000
CRI / Ra:	80
Color Code:	840
MacAdam (SDCM):	3
Lens (Diffuser):	Clear

PRODUCT

Ingress Protection:	IP65
Impact Protection:	IK08
Operating Temperature [°C]:	-30 - 50
Lifetime [h]:	L80B10: 100 000
Color:	Black
Height [mm]:	65
Diameter [mm]:	230
Weight [kg]:	2,3
Housing Material :	Aluminium

ELECTRICAL DATA

Dimming:	PWM, 0-10V
Dimming Output Type:	PWM
Standby power P _{sb} (W) <:	0,5
Flicker metric (P _{st} LM) <:	0,018
Stroboscopic effect metric (SVM) <	0,005
System Power [W]:	100/80/60
System Voltage [V]:	230V 50Hz
Protection Class:	1
Max load pr circuit - B10:	11
Max load pr circuit - B16:	18
Max load pr circuit - C10:	12
Max load pr circuit - C16:	18
Leakage current [mA]:	0,75
Inrush current I _{max} [A]:	80
Inrush current time [µs]:	350

MOUNTING / CONNECTION

Connection:	18i3 5m + 2x0,4m free end
Mounting:	Suspended