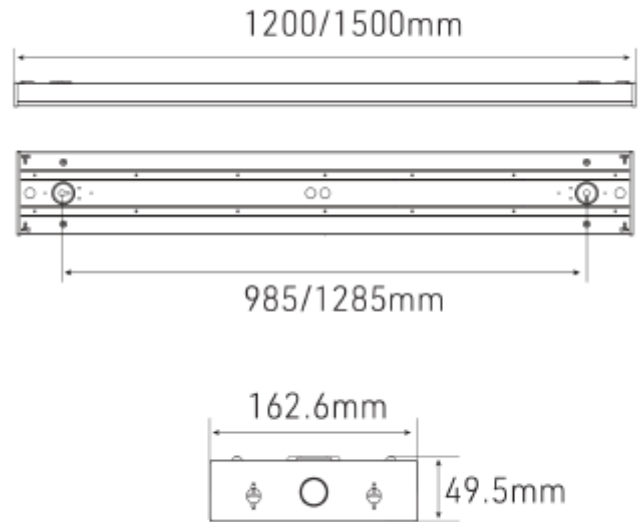




FDV SPEC SHEET
 Uniplus Interior
 Art. no: 103052-90-3-ddd



Uniplus Interior



Art. no: 103052-90-3-ddd

LIGHT TECHNICAL	
Lightsource Type:	LED (replaceable)
Lumen Output:	4590
Lumen LED (tc=25):	5200
Beam Angle:	90°
CCT (Color Temperature):	3000
CRI / Ra:	80
Color Code:	830
MacAdam (SDCM):	3
Lens (Diffuser):	Micropris.
UGR (<=):	19

ELECTRICAL DATA	
Dimming:	DALI2
Flickerfree:	Yes
Flicker metric (Pst LM) <:	1
Stroboscopic effect metric (SVM) <:	0,4
System Power [W]:	34W
System Voltage [V]:	230V 50Hz
Protection Class:	1
Max load pr circuit - B10:	27
Max load pr circuit - B16:	43
Max load pr circuit - C10:	46
Max load pr circuit - C16:	63
Leakage current [mA]:	0,7
Inrush current time [µs]:	190
Socket / Cap-Base:	N/A
Current Output [mA]:	22mA

MOUNTING / CONNECTION	
Connection:	Terminalx2
Through-wiring (mm2):	5x2,5
Mounting:	Surface, Suspended, Ceiling



FDV SPEC SHEET

Uniplus Interior

Art. no: 103052-90-3-ddd



Lighting Solutions

PRODUCT

Ingress Protection:	IP40
Impact Protection:	IK06
Operating Temperature [°C]:	-20 - 40
Lifetime [h]:	L80B10: 100 000
Color:	White
RAL:	RAL9003
Length [mm]:	1500
Height [mm]:	49,5
Width [mm]:	162,6
Weight [kg]:	3,4
Housing Material :	Metal