



PRODUCT SHEET

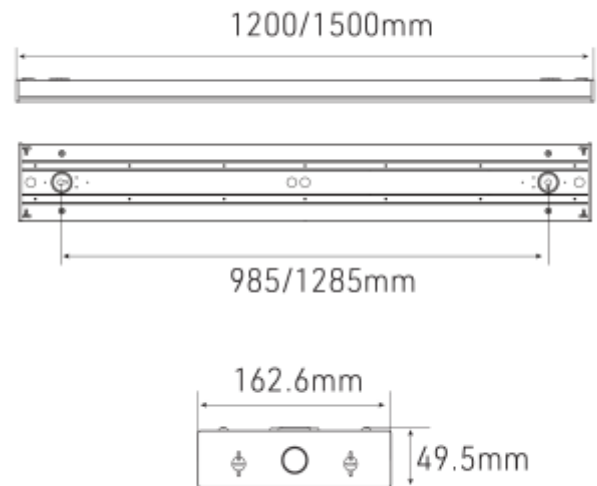
Uniplus Interior

Art. no: 103052-90-3



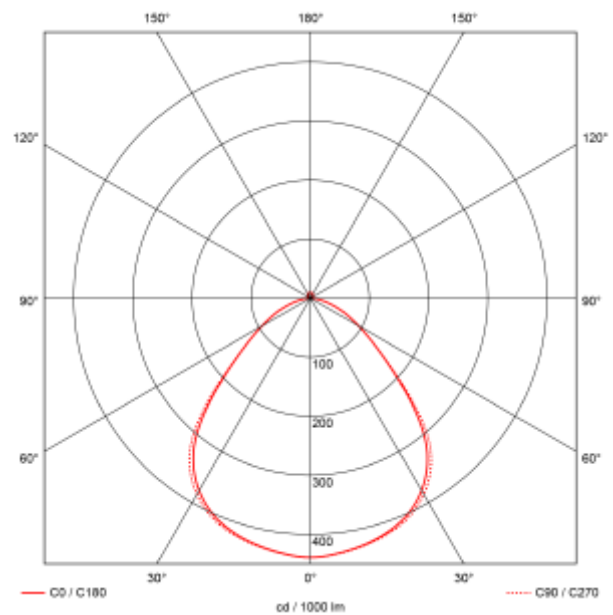
Lighting Solutions

Uniplus Interior



SPECIFICATIONS

Lightsource Type:	LED (replaceable)
System Power [W]:	23/29/34/40W
CCT (Color Temperature):	3000K
CRI / Ra:	80
Lumen Output:	5670lm
Lumen LED (tc=25):	6200lm
Beam Angle:	90°
Lens (Diffuser):	Micropris.
Dimming:	None
Flickerfree:	Yes
System Voltage [V]:	230V 50Hz
Connection:	QuickConnect
Mounting:	Surface, Suspended, Ceiling
Lifetime [h]:	L80B10: 100 000h
Lumen/W:	140lm/W
UGR (<=):	19
MacAdam (SDCM):	3
Through-wiring (mm2):	5x2,5
Color:	White
Length [mm]:	1500mm
Height [mm]:	49,5mm
Width [mm]:	162,6mm
Weight [kg]:	3,4kg



Uniplus is a surface mounted luminaire with the latest technology and optics to ensure a high luminous efficiency and low glare.

-Low glare UGR19 -Up to 150lm/w -Easy and fast installation.

-Suspended installation (accessory) Efficiency can be adjusted by dip switch: 39W = 5670lm 34W = 5000lm (default setting) 28W =

4130lm 23W = 3470lm