

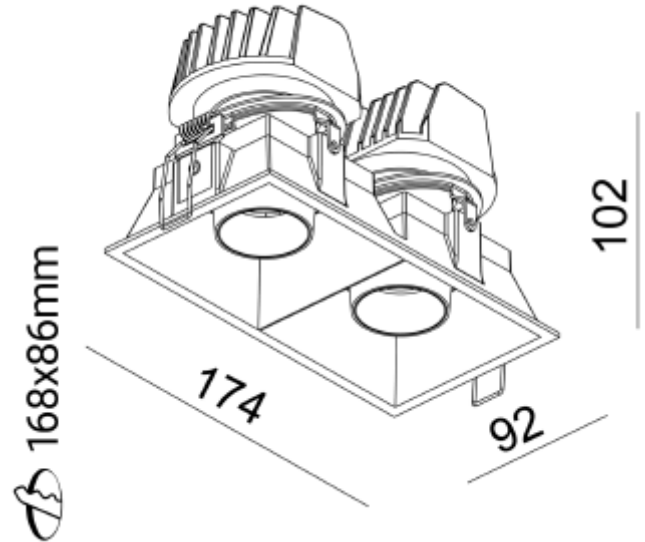


## FDV SPEC SHEET

Make Double D2W 2x45-950lm 930-919 34° 2x9,4W WH w/o driver  
Art. no: 11080-2-D2W-34-3



Lighting Solutions



# Make Double D2W 2x45-950lm 930-919 34° 2x9,4W W



Art. no: 11080-2-D2W-34-3

### LIGHT TECHNICAL

Lightsource Type:	LED (built in)
Lumen LED (tc=25):	2x45-950
Beam Angle:	34°
CCT (Color Temperature):	3000-1900K D2W
CRI / Ra:	90
Color Code:	930-919
Lens (Diffuser):	Clear

### MOUNTING / CONNECTION

Connection:	Depending on driver
Cut-out [mm]:	168-86
Mounting:	Recessed, Ceiling

### ELECTRICAL DATA

Dimming:	Depending on Driver
System Power [W]:	9,4
System Voltage [V]:	230V 50Hz
Protection Class:	3
Socket / Cap-Base:	N/A
Current Output [mA]:	500



## FDV SPEC SHEET

Make Double D2W 2x45-950lm 930-919 34° 2x9,4W WH w/o driver  
Art. no: 11080-2-D2W-34-3



*Lighting Solutions*

### PRODUCT

To be recessed in insulation:	No
Ingress Protection:	IP20
Color:	White
Length [mm]:	174
Height [mm]:	107
Width [mm]:	92
Weight [kg]:	0,749