



FDV SPEC SHEET

Cold 10

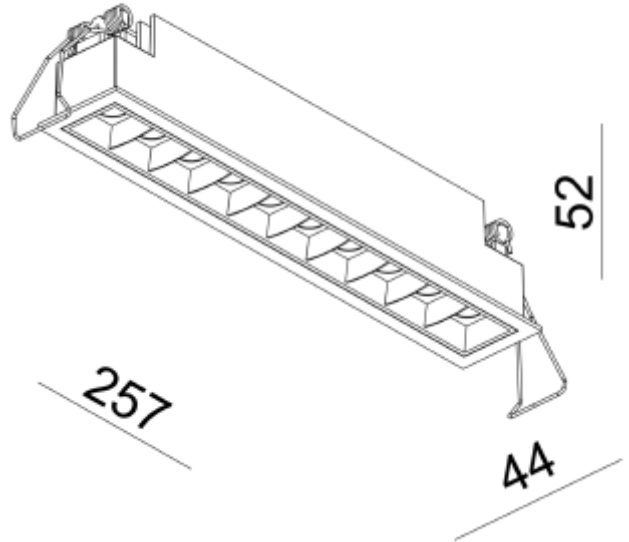
Art. no: 1111-30-3



Lighting Solutions



250x36mm



Cold 10



Art. no: 1111-30-3

LIGHT TECHNICAL

Lightsource Type:	LED (built in)
Lumen Output:	2150
Lumen LED (tc=25):	2100
Beam Angle:	30°
CCT (Color Temperature):	3000
CRI / Ra:	90
Color Code:	930
Lens (Diffuser):	None



FDV SPEC SHEET

Cold 10

Art. no: 1111-30-3



MOUNTING / CONNECTION

Connection:	Depending on driver
Cut-out [mm]:	250x36
Mounting:	Recessed, Ceiling

PRODUCT

To be recessed in insulation:	No
Ingress Protection:	IP20
Lifetime [h]:	L80B10: 100 000
Color:	White
Length [mm]:	257
Height [mm]:	52
Width [mm]:	44
Weight [kg]:	0,7
Housing Material :	Aluminium
Material 2:	Mechanical installed part(Steel
Housing Material :	Aluminium
Material 2:	Mechanical installed part(Steel

ELECTRICAL DATA

Dimming:	Depending on Driver
Dimming Output Type:	Amplitude Modulation
Dimming Phasecut Type:	Leading / Trailing edge
Flicker metric (Pst LM) <:	1
Stroboscopic effect metric (SVM) <	0,4
System Power [W]:	2x10
System Voltage [V]:	230V 50Hz
Protection Class:	3
Max load pr circuit - B10:	35
Max load pr circuit - B16:	56
Max load pr circuit - C10:	74
Max load pr circuit - C16:	118
Leakage current [mA]:	7
Inrush current Imax [A]:	5
Inrush current time [µs]:	300
Socket / Cap-Base:	N/A
Current Output [mA]:	700
Voltage Forward Max [V]:	30
Dimming Output Type:	Amplitude Modulation
Dimming Phasecut Type:	Leading / Trailing edge