



## FDV SPEC SHEET

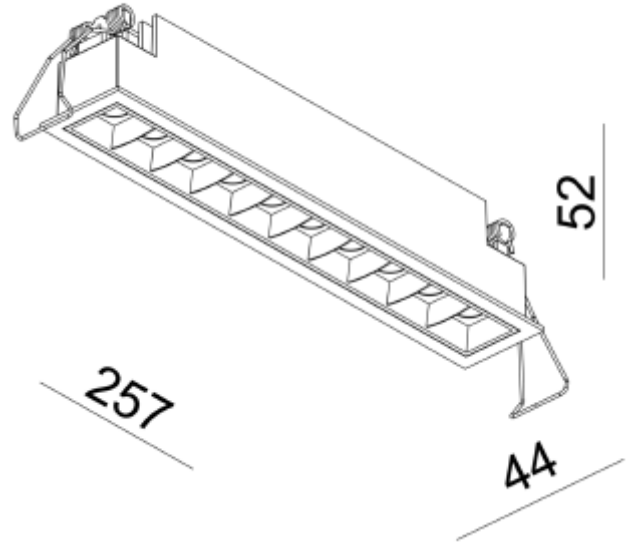
Cold 10

Art. no: 1112-30-3



Lighting Solutions

250x36mm



## Cold 10



Art. no: 1112-30-3

### LIGHT TECHNICAL

|                          |                |
|--------------------------|----------------|
| Lightsource Type:        | LED (built in) |
| Lumen Output:            | 1920           |
| Lumen LED (tc=25):       | 2100           |
| Beam Angle:              | 30°            |
| CCT (Color Temperature): | 2700           |
| CRI / Ra:                | 90             |
| Color Code:              | 927            |
| Lens (Diffuser):         | None           |

### MOUNTING / CONNECTION

|               |                     |
|---------------|---------------------|
| Connection:   | Depending on driver |
| Cut-out [mm]: | 250x36              |
| Mounting:     | Recessed, Ceiling   |

### ELECTRICAL DATA

|                                      |                         |
|--------------------------------------|-------------------------|
| Dimming:                             | Depending on Driver     |
| Dimming Output Type:                 | Amplitude Modulation    |
| Dimming Phasecut Type:               | Leading / Trailing edge |
| Flicker metric (Pst LM) <:           | 1                       |
| Stroboscopic effect metric (SVM) <:  | 0,4                     |
| System Power [W]:                    | 2x10                    |
| System Voltage [V]:                  | 230V 50Hz               |
| Protection Class:                    | 3                       |
| Max load pr circuit - B10:           | 35                      |
| Max load pr circuit - B16:           | 56                      |
| Max load pr circuit - C10:           | 74                      |
| Max load pr circuit - C16:           | 118                     |
| Leakage current [mA]:                | 7                       |
| Inrush current I <sub>max</sub> [A]: | 5                       |
| Inrush current time [µs]:            | 300                     |
| Socket / Cap-Base:                   | N/A                     |
| Voltage Forward Max [V]:             | 30                      |
| Dimming Output Type:                 | Amplitude Modulation    |
| Dimming Phasecut Type:               | Leading / Trailing edge |



## FDV SPEC SHEET

Cold 10

Art. no: 1112-30-3



*Lighting Solutions*

### PRODUCT

|                               |                                 |
|-------------------------------|---------------------------------|
| To be recessed in insulation: | No                              |
| Ingress Protection:           | IP20                            |
| Lifetime [h]:                 | L80B10: 100 000                 |
| Color:                        | White                           |
| Length [mm]:                  | 257                             |
| Height [mm]:                  | 52                              |
| Width [mm]:                   | 44                              |
| Weight [kg]:                  | 0,7                             |
| Housing Material :            | Aluminium                       |
| Material 2:                   | Mechanical installed part(Steel |
| Housing Material :            | Aluminium                       |
| Material 2:                   | Mechanical installed part(Steel |