



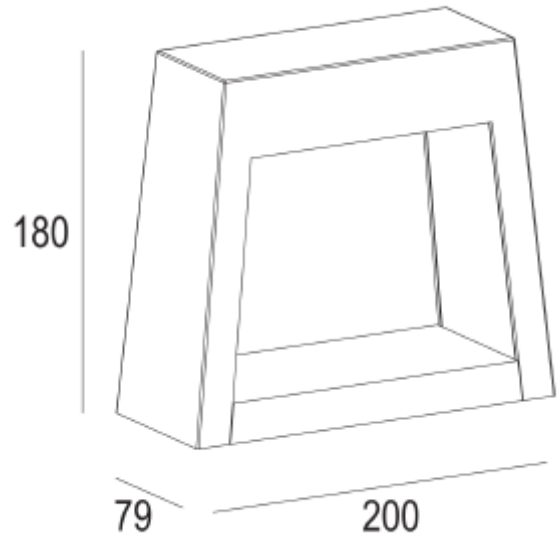
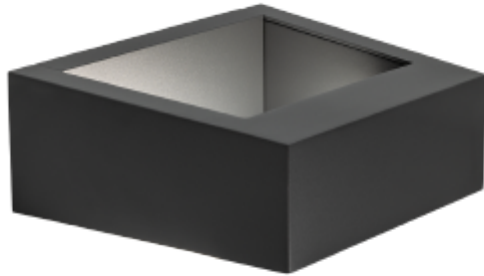
FDV SPEC SHEET

Eos 650lm 830 22° 18W Antracite IP65

Art. no: 1351-28-5



Lighting Solutions



Eos 650lm 830 22° 18W Antracite IP65



Art. no: 1351-28-5

LIGHT TECHNICAL

Lightsource Type:	LED (built in)
Lumen LED (tc=25):	650
Beam Angle:	22°
CCT (Color Temperature):	3000
CRI / Ra:	80
Color Code:	830
MacAdam (SDCM):	4
Lens (Diffuser):	Clear

MOUNTING / CONNECTION

Connection:	Terminal
Mounting:	Wall, Ceiling

ELECTRICAL DATA

Dimming:	None
System Power [W]:	18W
System Voltage [V]:	230V 50Hz
Protection Class:	1
Socket / Cap-Base:	N/A
Current Output [mA]:	81



FDV SPEC SHEET

Eos 650lm 830 22° 18W Antracite IP65

Art. no: 1351-28-5



Lighting Solutions

PRODUCT

Ingress Protection:	IP65
Impact Protection:	IK05
Lifetime [h]:	100 000
Color:	Antracite
Length [mm]:	200
Height [mm]:	79
Width [mm]:	180