



PRODUCT SHEET

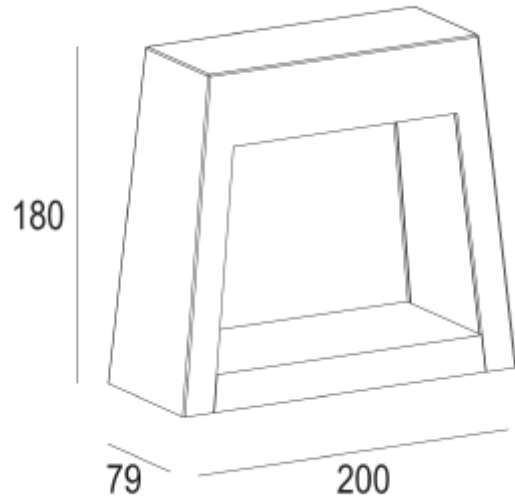
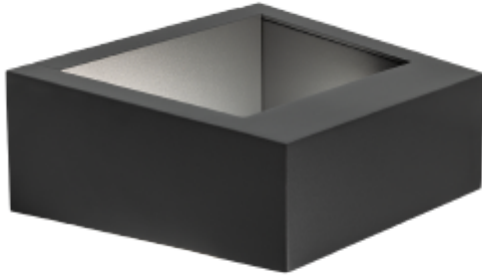
Eos 650lm 830 22° 18W Antracite IP65

Art. no: 1351-28-5



Lighting Solutions

Eos 650lm 830 22° 18W Antracite IP65



A

SPECIFICATIONS

Lightsource Type:	LED (built in)
System Power [W]:	18WW
CCT (Color Temperature):	3000K
CRI / Ra:	80
Lumen LED (tc=25):	650lm
Beam Angle:	22°
Lens (Diffuser):	Clear
Dimming:	None
System Voltage [V]:	230V 50Hz
Connection:	Terminal
Mounting:	Wall, Ceiling
Lifetime [h]:	100 000h
MacAdam (SDCM):	4
Color:	Antracite
Length [mm]:	200mm
Height [mm]:	79mm
Width [mm]:	180mm