



## PRODUCT SHEET

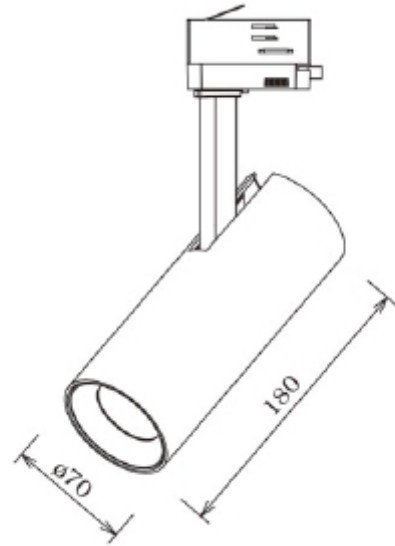
Cylinder 70

Art. no: 17057-7-24-2



*Lighting Solutions*

# Cylinder 70



The Cylinder uses the possibilities created by new technology. The LED driver is mounted inside the luminaire body. This gives us a slim design combined with a powerful light output that can be easily adjusted in all directions to meet all needs. Cylinder can be tilted 90 degrees and rotated 350 degrees its own axis. To create further opportunities to "play" with light you can mount a diffuser on the luminaire, this can be ordered separately.



### SPECIFICATIONS

|                          |                 |
|--------------------------|-----------------|
| Lightsource Type:        | LED (built in)  |
| System Power [W]:        | 20W             |
| CCT (Color Temperature): | 4000K           |
| CRI / Ra:                | 90              |
| Lumen LED (tc=25):       | 2650lm          |
| Beam Angle:              | 24°             |
| Lens (Diffuser):         | Clear           |
| Dimming:                 | None            |
| System Voltage [V]:      | 230V 50Hz       |
| Connection:              | Track 3-Circuit |
| Mounting:                | Track, Ceiling  |
| UGR (<=):                | 21              |
| Color:                   | Black           |
| Length [mm]:             | 180mm           |
| Height [mm]:             | 225mm           |
| Width [mm]:              | 70mm            |
| Weight [kg]:             | 0,85kg          |