



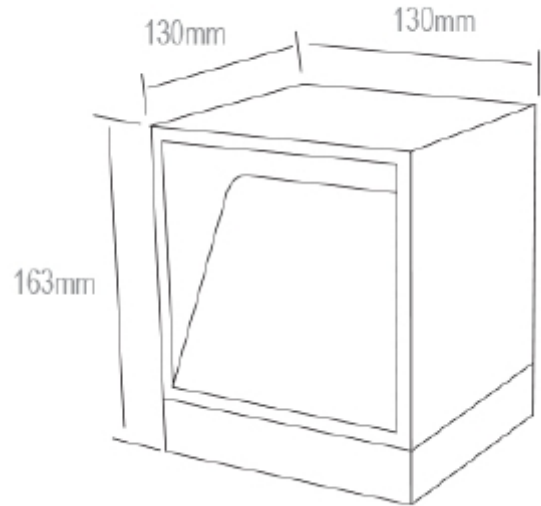
FDV SPEC SHEET

Cubic LED 390lm 830 9W outdoor floor IP56 Anthracite Dim.

Art. no: 2313-1-5



Lighting Solutions



Cubic LED 390lm 830 9W outdoor floor IP56 Anthracit



Art. no: 2313-1-5

LIGHT TECHNICAL

Lightsource Type:	LED (built in)
Lumen Output:	402
CCT (Color Temperature):	3000
CRI / Ra:	80
Color Code:	830
Lens (Diffuser):	Clear

MOUNTING / CONNECTION

Connection:	Cable 1.5m
Mounting:	Ground

PRODUCT

Ingress Protection:	IP65
Length [mm]:	130
Height [mm]:	163
Width [mm]:	130
Weight [kg]:	2,45

ELECTRICAL DATA

Dimming:	Phase-Cut
Dimming Phasecut Type:	Leading / Trailing edge
System Power [W]:	9
System Voltage [V]:	230V 50Hz
Protection Class:	2
Max load pr circuit - B10:	35
Max load pr circuit - B16:	56
Max load pr circuit - C10:	74
Max load pr circuit - C16:	118
Leakage current [mA]:	0,7
Inrush current I _{max} [A]:	5
Inrush current time [μs]:	300
Current Output [mA]:	260