



PRODUCT SHEET

Tigrus Tiltable
Art. no: 24927-36-3

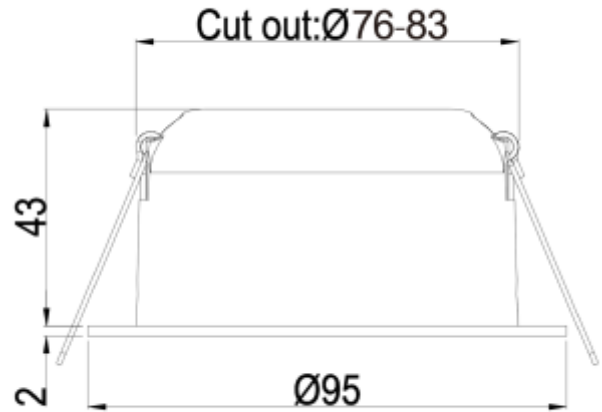


Lighting Solutions

Tigrus Tiltable

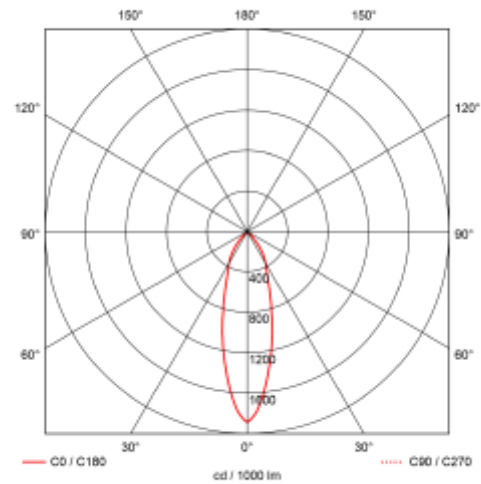


76-83mm



A+

SPECIFICATIONS	
System Power [W]:	7W
CCT (Color Temperature):	2700K
CRI / Ra:	95
Lumen Output:	519lm
Lumen LED (tc=25):	550lm
Beam Angle:	36°
Lens (Diffuser):	Clear
Dimming:	Phase-Cut
Flickerfree:	Yes
System Voltage [V]:	230V 50Hz
Connection:	QuickConnect
Mounting:	Recessed, Ceiling
Cut-out [mm]:	Ø76-Ø83mm
Lifetime [h]:	L80B10: 100 000h
Lumen/W:	74lm/W
MacAdam (SDCM):	3
Color:	White
Height [mm]:	45mm
Width [mm]:	95mm
To be recessed in insulation:	Yes, recessed in insulation



Tigrus Tiltable can be mounted directly in insulation. Tigrus has CRI>95 and is delivered with 2700K or Dim2Warm. The downlight can be tilted 25°. Easy to connect without using a screwdriver. Cut-out 76-83mm.