

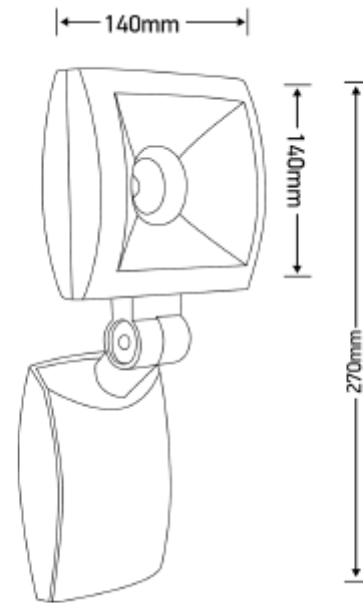


FDV SPEC SHEET

Kaus 1220lm 830 30° 12W Quickconnect Dark Grey
Art. no: 2540-30-7



Lighting Solutions



Kaus 1220lm 830 30° 12W Quickconnect Dark Grey



Art. no: 2540-30-7

LIGHT TECHNICAL

Lumen Output:	867
Lumen LED (tc=25):	1220
Beam Angle:	30°
CCT (Color Temperature):	3000
CRI / Ra:	80
Color Code:	830
Lens (Diffuser):	Clear

MOUNTING / CONNECTION

Connection:	QuickConnect
Mounting:	Surface, Wall

ELECTRICAL DATA

Dimming:	Sensor (PIR)
System Power [W]:	12
System Voltage [V]:	230V 50Hz
Protection Class:	1
Max load pr circuit - B10:	17
Max load pr circuit - B16:	26
Max load pr circuit - C10:	29
Max load pr circuit - C16:	47
Leakage current [mA]:	0,5
Inrush current I _{max} [A]:	15
Inrush current time [µs]:	125
Socket / Cap-Base:	N/A
Current Output [mA]:	300
Voltage Forward Min [V]:	32
Voltage Forward Max [V]:	38



FDV SPEC SHEET

Kaus 1220lm 830 30° 12W Quickconnect Dark Grey
Art. no: 2540-30-7



PRODUCT	
Ingress Protection:	IP54
Impact Protection:	IK08
Operating Temperature [°C]:	-20 - 50
Color:	Dark Grey
Length [mm]:	270
Height [mm]:	140
Width [mm]:	140
Weight [kg]:	1,34