



PRODUCT SHEET

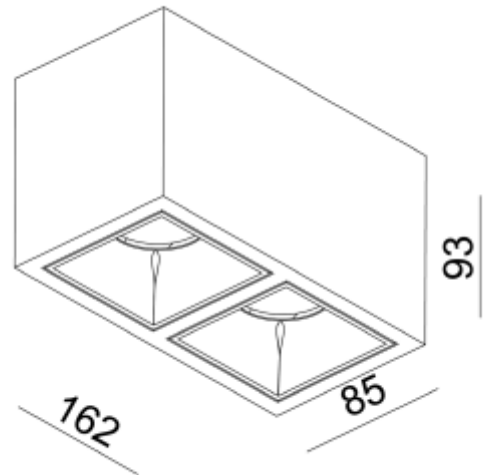
Kappa Rise Double

Art. no: 3515-48-3

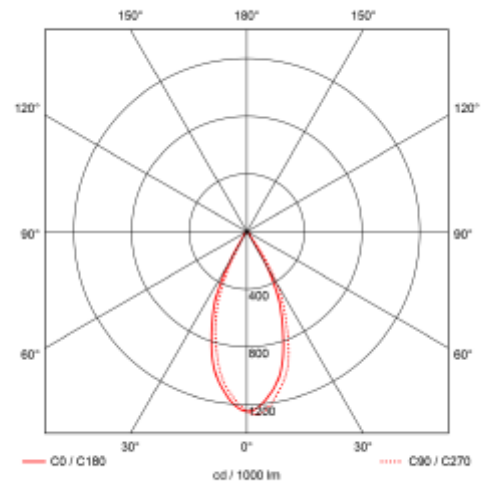


Lighting Solutions

Kappa Rise Double



| SPECIFICATIONS | |
|-------------------------------|------------------|
| System Power [W]: | 2x8,9W |
| CCT (Color Temperature): | 2700K |
| CRI / Ra: | 90 |
| Lumen Output: | 1913lm |
| Lumen LED (tc=25): | 1975lm |
| Beam Angle: | 48° |
| Lens (Diffuser): | Clear |
| Dimming: | Phase-Cut |
| System Voltage [V]: | 230V 50Hz |
| Connection: | Terminal |
| Mounting: | Surface, Ceiling |
| Lumen/W: | 0lm/W |
| MacAdam (SDCM): | 3 |
| Color: | White |
| Length [mm]: | 162mm |
| Height [mm]: | 93mm |
| Width [mm]: | 85mm |
| To be recessed in insulation: | Not applicable |



Kappa Rise Double white are delivered with white front ring. Gold front ring can be purchased separately.