

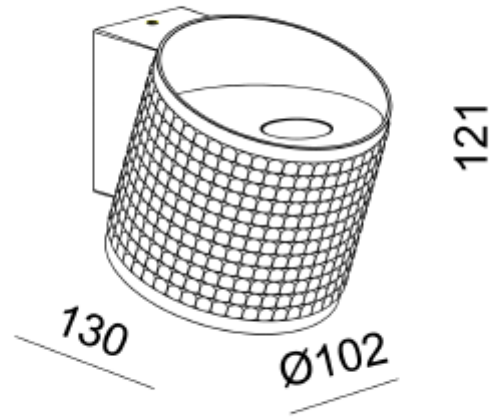


FDV SPEC SHEET

Apollo Plus
Art. no: 3534-3



Lighting Solutions



Apollo Plus



Art. no: 3534-3

LIGHT TECHNICAL

Lightsource Type:	LED (built in)
Lumen Output:	612
Lumen LED (tc=25):	2x350
CCT (Color Temperature):	2700
CRI / Ra:	90
Color Code:	927
Lens (Diffuser):	Clear

MOUNTING / CONNECTION

Connection:	Terminal
Mounting:	Surface, Wall

PRODUCT

Ingress Protection:	IP43
Impact Protection:	IK02
Color:	White
Length [mm]:	130
Height [mm]:	121
Width [mm]:	102
Weight [kg]:	0,5

ELECTRICAL DATA

Dimming:	Phase-Cut
System Power [W]:	2x4,6
System Voltage [V]:	230V 50Hz
Protection Class:	1
Socket / Cap-Base:	N/A
Current Output [mA]:	500