



PRODUCT SHEET

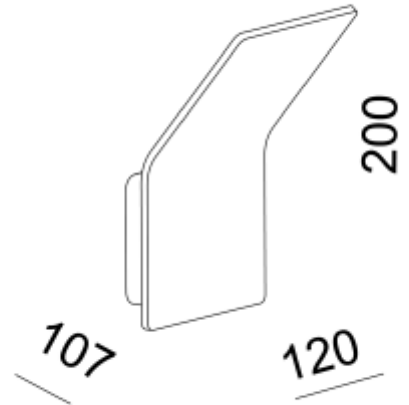
Mira 650lm 927 6,1W WH Phasecut

Art. no: 3541-3



Lighting Solutions

Mira 650lm 927 6,1W WH Phasecut



SPECIFICATIONS

System Power [W]:	6,1W
CCT (Color Temperature):	2700K
CRI / Ra:	90
Lumen LED (tc=25):	650lm
Beam Angle:	30°
Dimming:	Phase-Cut
System Voltage [V]:	230V 50Hz
Connection:	Terminal
Mounting:	Surface, Wall
Color:	White
Length [mm]:	120mm
Height [mm]:	200mm
Width [mm]:	107mm

