



PRODUCT SHEET

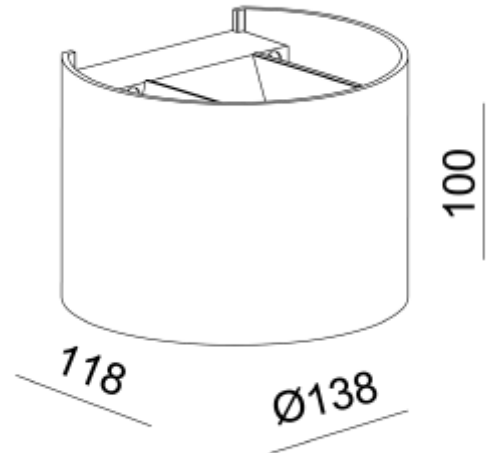
Duhr Round

Art. no: 3545-26



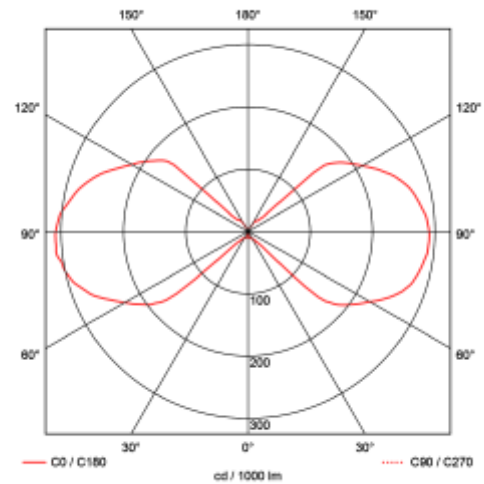
Lighting Solutions

Duhr Round



SPECIFICATIONS

Lightsource Type:	LED (built in)
System Power [W]:	2x4,6W
CCT (Color Temperature):	2700K
CRI / Ra:	90
Lumen LED (tc=25):	2x400lm
Lens (Diffuser):	None
Dimming:	Phase-Cut
System Voltage [V]:	230V 50Hz
Connection:	Terminal
Mounting:	Surface, Wall
Color:	Black/Gold
Length [mm]:	138mm
Height [mm]:	100mm
Width [mm]:	118mm
Weight [kg]:	0,8kg



Duhr Round has a modern design with up and down light. With adjustable flaps you can easily change the beam angle.