

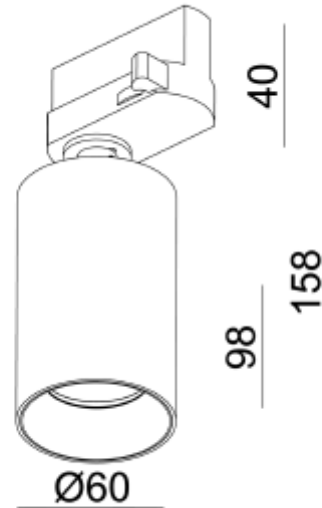


FDV SPEC SHEET

Tania Mini GU10
Art. no: 3555-2-3



Lighting Solutions



Tania Mini GU10



Art. no: 3555-2-3

LIGHT TECHNICAL

Lightsource Type:	Lightsource not included
Lens (Diffuser):	None

MOUNTING / CONNECTION

Connection:	Track 3-Circuit
Mounting:	Track, Ceiling

PRODUCT

Ingress Protection:	IP20
Operating Temperature [°C]:	-20 - 40
Color:	White
Length [mm]:	90
Width [mm]:	60

ELECTRICAL DATA

Dimming:	Light bulb dependent
System Voltage [V]:	230V 50Hz
Protection Class:	1
Socket / Cap-Base:	GU10