



## PRODUCT SHEET

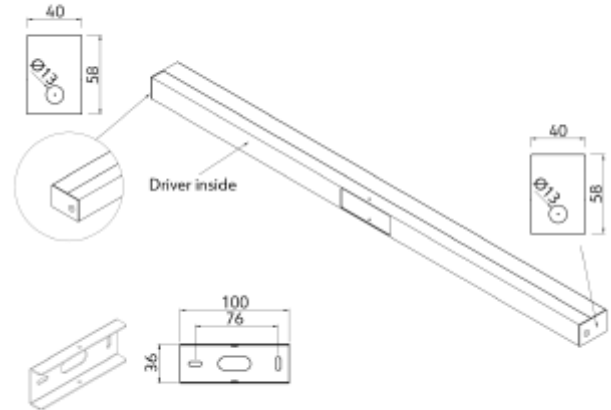
Paris Wall

Art. no: 6998-2-01-2



Lighting Solutions

# Paris Wall



### SPECIFICATIONS

System Power [W]:	15W
CCT (Color Temperature):	3000K
CRI / Ra:	90
Lumen Output:	597lm
Lumen LED (tc=25):	770lm
Beam Angle:	120°
Lens (Diffuser):	Opal
Dimming:	Phase-Cut
System Voltage [V]:	230V 50Hz
Connection:	QuickConnect
Mounting:	Wall
Color:	Black
Length [mm]:	1200mm
Height [mm]:	58mm
Width [mm]:	40mm