

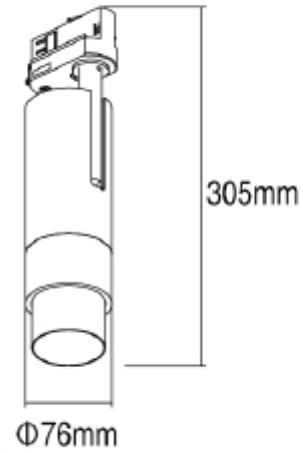


## FDV SPEC SHEET

Zoom Maxi Spotlight  
Art. no: 7070-560-2



Lighting Solutions



# Zoom Maxi Spotlight



Art. no: 7070-560-2

### LIGHT TECHNICAL

|                          |                |
|--------------------------|----------------|
| Lightsource Type:        | LED (built in) |
| Lumen LED (tc=25):       | 2250           |
| Beam Angle:              | 15-60°         |
| CCT (Color Temperature): | 3000           |
| CRI / Ra:                | 80             |
| Color Code:              | 830            |
| Lens (Diffuser):         | Clear          |

### MOUNTING / CONNECTION

|             |                 |
|-------------|-----------------|
| Connection: | Track 3-Circuit |
| Mounting:   | Track, Ceiling  |

### PRODUCT

|                     |       |
|---------------------|-------|
| Ingress Protection: | IP20  |
| Color:              | Black |
| Length [mm]:        | 305   |
| Width [mm]:         | 76    |

### ELECTRICAL DATA

|                                      |           |
|--------------------------------------|-----------|
| Dimming:                             | None      |
| System Power [W]:                    | 30        |
| System Voltage [V]:                  | 230V 50Hz |
| Protection Class:                    | 1         |
| Max load pr circuit - B10:           | 14        |
| Max load pr circuit - B16:           | 24        |
| Max load pr circuit - C10:           | 24        |
| Max load pr circuit - C16:           | 40        |
| Inrush current I <sub>max</sub> [A]: | 25        |
| Inrush current time [µs]:            | 150       |